

**CONEXIONES Y PIEZAS ESPECIALES DE FIERRO
PARA AGUA POTABLE Y ALCANTARILLADO**



RUD

CATALOGO de PRODUCTOS
CON LOS MODELOS ORIGINALES MYMACO



FUNDIDORA INDUSTRIAL SALTILLO S.A. DE C.V.

Blvd. Nazario S. Ortiz Garza # 3670 Tels. (844) 416-8002 y 415-6423 Saltillo Coah.

FUNDIDORA INDUSTRIAL SALTILLO S.A. DE C.V.



CONEXIONES Y VÁLVULAS RUD

INDICE DE PRODUCTOS

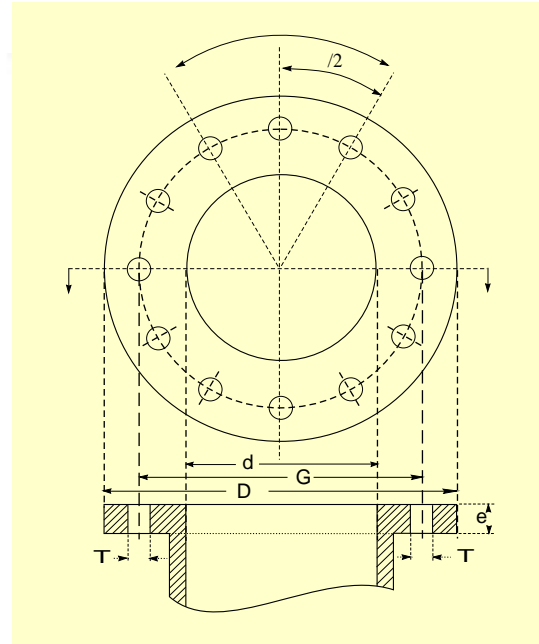
| | |
|-----------|---|
| PAGINA 1 | ESPECIFICACIONES DE BRIDAS NORMA ASME/ANSI B-16.1 |
| PAGINA 2 | CRUCES Y TES |
| PAGINA 3 | CRUCES Y TES |
| PAGINA 4 | REDUCCIONES |
| PAGINA 5 | REDUCCIONES |
| PAGINA 6 | CODOS de 90° |
| PAGINA 7 | CODOS de 45°, 22° 30' y 11° 15' |
| PAGINA 8 | CARRETES |
| PAGINA 9 | BRIDA CIEGA ó TAPA CIEGA |
| PAGINA 10 | CONTRABRIDAS ó BRIDAS ROSCADAS |
| PAGINA 11 | CONTRABRIDAS PARA STUB END |
| PAGINA 12 | EXTREMIDADES |
| PAGINA 13 | JUNTAS GIBAULT |
| PAGINA 14 | JUNTA UNIVERSAL GPB |
| PAGINA 15 | ABRAZADERA DE INSERCIÓN |
| PAGINA 15 | COLLARÍN DE ACERO INOXIDABLE |
| PAGINA 16 | COPLES DRESMEX |
| PAGINA 17 | COPLES DRESMEX |
| PAGINA 18 | EMPAQUES PARA JUNTAS GIBAULT |
| PAGINA 18 | EMPAQUE DE NEOPRENO PARA BRIDA CARA LLENA |
| PAGINA 19 | EMPAQUE DE PLOMO |
| PAGINA 20 | MARCOS CON TAPA |
| PAGINA 21 | CONTRAMARCOS |
| PAGINA 22 | BROCALES PARA POZO DE VISITA |
| PAGINA 23 | BROCAL DE CONCRETO ARMADO |
| PAGINA 24 | COLADERA PLUVIAL Y BOCA DE TORMENTA |
| PAGINA 24 | ESCALONES PARA POZO DE VISITA |
| PAGINA 25 | CODO CESPOL BOLA CONTRA PESO Y PLATO QUIEBRA CHORROS |
| PAGINA 26 | ARO CON TAPAS P-84 Y TAPAS P-84 Y 84-R |
| PAGINA 26 | MARCO CON TAPA P-84 Y 84-R |
| PAGINA 27 | BROCALES PEMEX Y REJILLA PEMEX |
| PAGINA 28 | REJILLA CON BISAGRAS Y REJILLAS FIJAS |
| PAGINA 29 | REJILLA CURVA, PECHO DE PALOMA, DE ESTACIONAMIENTO |
| PAGINA 30 | CAMPANA PARA OPERACIÓN DE VÁLVULAS |
| PAGINA 30 | EJE TELESCÓPICO PARA OPERACIÓN DE VÁLVULAS Y REGISTRÓ |
| PAGINA 31 | CAJA Y REGISTRO PARA LLAVE DE BANQUETA |
| PAGINA 31 | REGISTRO PARA DRENAJE |
| PAGINA 32 | TORNILLOS |





CONEXIONES Y VÁLVULAS RUD

ESPECIFICACIONES DE BRIDAS NORMA ASME/ANSI B-16.1



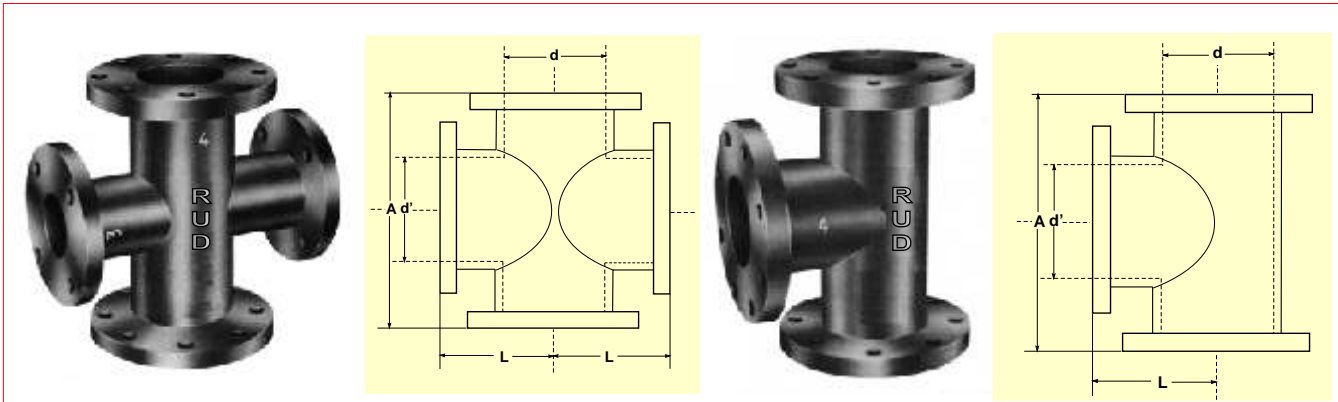
ESPECIFICACIONES SEGÚN ASME ANSI B16.1

| DIÁMETRO NOMINAL d | | DIÁMETRO Exterior de BRIDAS D | | ESPESOR MÍNIMO DE BRIDA e | | DIÁMETRO LÍNEA GRAMIL G | | PLANTILLA PARA CENTROS DE BARRENOS | | DIÁMETRO BARRENOS T | | DIÁMETRO DE LOS TORNILLOS | | LONGITUD DE LOS TORNILLOS | | No. TORNI- LLOS |
|-----------------------|-------|----------------------------------|--------|------------------------------|---------|----------------------------|--------|------------------------------------|------------|------------------------|-------|---------------------------|-------|---------------------------|-------|--------------------|
| mm | plg | mm | plg | mm | plg | mm | plg | | /2 | mm | plg | mm | plg | mm | plg | Piezas |
| 50.8 | 2 | 152.4 | 6 | 15.9 | 5/8 | 120.7 | 4 3/4 | 90° | 45° | 19.1 | 3/4 | 15.9 | 5/8 | 63.5 | 2 1/2 | 4 |
| 63.5 | 2 1/2 | 177.5 | 7 | 17.5 | 11/16 | 139.7 | 5 1/2 | 90. | 45° | 19.1 | 3/4 | 15.9 | 5/8 | 63.5 | 2 1/2 | 4 |
| 76.2 | 3 | 190.5 | 7 1/2 | 19.1 | 3/4 | 152.4 | 6 | 90. | 45° | 19.1 | 3/4 | 15.9 | 5/8 | 63.5 | 2 1/2 | 4 |
| 101.6 | 4 | 228.6 | 9 | 23.8 | 15/16 | 190.5 | 7 1/2 | 45° | 22°30' | 19.1 | 3/4 | 15.9 | 5/8 | 76.2 | 3 | 8 |
| 152.4 | 6 | 279.4 | 11 | 25.4 | 1 | 241.3 | 9 1/2 | 45° | 22°30' | 22.2 | 7/8 | 19.1 | 3/4 | 88.9 | 3 1/2 | 8 |
| 203.2 | 8 | 342.9 | 13 1/2 | 28.6 | 1 1/8 | 298.5 | 11 3/4 | 45° | 22°30' | 22.2 | 7/8 | 19.1 | 3/4 | 88.9 | 3 1/2 | 8 |
| 254.0 | 10 | 406.4 | 16 | 30.2 | 1 3/16 | 362.0 | 14 1/4 | 30° | 15° | 25.4 | 1 | 22.2 | 7/8 | 88.9 | 3 1/2 | 12 |
| 304.8 | 12 | 486.2 | 19 | 31.8 | 1 1/4 | 431.8 | 17 | 30° | 15° | 25.4 | 1 | 22.2 | 7/8 | 101.6 | 4 | 12 |
| 355.6 | 14 | 533.4 | 21 | 34.9 | 1 3/8 | 476.3 | 18 3/4 | 30° | 15° | 28.6 | 1 1/8 | 25.4 | 1 | 114.3 | 4 1/2 | 12 |
| 406.4 | 16 | 596.9 | 23 1/2 | 36.5 | 1 7/16 | 539.8 | 21 1/4 | 22°30' | 11°15' | 28.6 | 1 1/8 | 25.4 | 1 | 114.3 | 4 1/2 | 16 |
| 457.2 | 18 | 635.0 | 25 | 39.7 | 1 9/16 | 577.9 | 22 3/4 | 22°30' | 11°15' | 31.8 | 1 1/4 | 28.6 | 1 1/8 | 114.3 | 4 1/2 | 16 |
| 508.0 | 20 | 698.5 | 27 1/2 | 42.9 | 1 11/16 | 635.0 | 25 | 18° | 9° | 31.8 | 1 1/4 | 28.6 | 1 1/8 | 127.0 | 5 | 20 |
| 609.6 | 24 | 812.8 | 32 | 47.6 | 1 7/8 | 749.3 | 29 1/2 | 18° | 9° | 34.9 | 1 3/8 | 31.8 | 1 1/4 | 139.7 | 5 1/2 | 20 |
| 762.0 | 30 | 984.3 | 38 3/4 | 54.0 | 2 1/8 | 914.4 | 36 | 12°51'26" | 6°25'43" | 34.9 | 1 3/8 | 31.8 | 1 1/4 | 152.4 | 6 1/2 | 28 |
| 914.4 | 36 | 1168.4 | 46 | 60.3 | 2 3/8 | 1085.9 | 42 3/4 | 11°15' | 5°37'30" | 41.3 | 1 5/8 | 38.1 | 1 1/2 | 177.8 | 7 | 32 |
| 1066.8 | 42 | 1346.2 | 53 | 66.7 | 2 5/8 | 1257.3 | 49 1/2 | 10° | 5° | 41.3 | 1 5/8 | 38.1 | 1 1/2 | 190.5 | 7 1/2 | 36 |
| 1219.2 | 48 | 1511.3 | 59 1/2 | 69.9 | 2 3/4 | 1422.4 | 56 | 8°10'54.5" | 4°5'27.25" | 41.3 | 1 5/8 | 38.1 | 1 1/2 | 203.2 | 8 | 44 |



CONEXIONES Y VÁLVULAS RUD

CRUCES Y TES



ESPECIFICACIONES SEGUN AWWA C-110

| DIÁMETRO NOMINAL | | | DISTANCIAS | | | | ESPESOR DE LA PARED | | | | PESO APROX. | |
|------------------|-------|---------------|------------|-------|-------|-----|---------------------|-------|-------------|-------|-------------|------|
| d | d' | d x d' | L | | A | | DIAM. MAYOR | | DIAM. MENOR | | TES | CRUZ |
| mm | mm | plg | mm | plg | mm | plg | mm | plg | mm | plg | kg | kg |
| 50.8 | 50.8 | 2 x 2 | 114.3 | 4 1/2 | 228.6 | 9 | 11.1 | 7/16 | 11.1 | 7/16 | 10 | 12 |
| 63.5 | 50.8 | 2 1/2 x 2 | 127.0 | 5 | 254.0 | 10 | 11.1 | 7/16 | 11.1 | 7/16 | 12 | 15 |
| 63.5 | 63.5 | 2 1/2 x 2 1/2 | 127.0 | 5 | 254.0 | 10 | 11.1 | 7/16 | 11.1 | 7/16 | 13 | 17 |
| 76.2 | 50.8 | 3 x 2 | 139.7 | 5 1/2 | 279.4 | 11 | 11.1 | 7/16 | 11.1 | 7/16 | 15 | 18 |
| 76.2 | 63.5 | 3 x 2 1/2 | 139.7 | 5 1/2 | 279.4 | 11 | 11.1 | 7/16 | 11.1 | 7/16 | 16 | 19 |
| 76.2 | 76.2 | 3 x 3 | 139.7 | 5 1/2 | 279.4 | 11 | 11.1 | 7/16 | 11.1 | 7/16 | 17 | 21 |
| 101.6 | 50.8 | 4 x 2 | 165.1 | 6 1/2 | 330.2 | 13 | 12.7 | 1/2 | 11.1 | 7/16 | 23 | 26 |
| 101.6 | 63.5 | 4 x 2 1/2 | 165.1 | 6 1/2 | 330.2 | 13 | 12.7 | 1/2 | 11.1 | 7/16 | 24 | 28 |
| 101.6 | 76.2 | 4 x 3 | 165.1 | 6 1/2 | 330.2 | 13 | 12.7 | 1/2 | 11.1 | 7/16 | 25 | 29 |
| 101.6 | 101.6 | 4 x 4 | 165.1 | 6 1/2 | 330.2 | 13 | 12.7 | 1/2 | 12.7 | 1/2 | 28 | 35 |
| 152.4 | 50.8 | 6 x 2 | 203.2 | 8 | 406.4 | 16 | 14.3 | 9/16 | 11.1 | 7/16 | 37 | 40 |
| 152.4 | 63.5 | 6 x 2 1/2 | 203.2 | 8 | 406.4 | 16 | 14.3 | 9/16 | 11.1 | 7/16 | 38 | 42 |
| 152.4 | 76.2 | 6 x 3 | 203.2 | 8 | 406.4 | 16 | 14.3 | 9/16 | 11.1 | 7/16 | 39 | 43 |
| 152.4 | 101.6 | 6 x 4 | 203.2 | 8 | 406.4 | 16 | 14.3 | 9/16 | 12.7 | 1/2 | 42 | 49 |
| 152.4 | 152.4 | 6 x 6 | 203.2 | 8 | 406.4 | 16 | 14.3 | 9/16 | 14.3 | 9/16 | 45 | 57 |
| 203.2 | 63.5 | 8 x 2 1/2 | 228.6 | 9 | 457.2 | 18 | 15.9 | 5/8 | 11.1 | 7/16 | 59 | 64 |
| 203.2 | 76.2 | 8 x 3 | 228.6 | 9 | 457.2 | 18 | 15.9 | 5/8 | 11.1 | 7/16 | 60 | 65 |
| 203.2 | 101.6 | 8 x 4 | 228.6 | 9 | 457.2 | 18 | 15.9 | 5/8 | 12.7 | 1/2 | 63 | 71 |
| 203.2 | 152.4 | 8 x 6 | 228.6 | 9 | 457.2 | 18 | 15.9 | 5/8 | 14.3 | 9/16 | 66 | 77 |
| 203.2 | 203.2 | 8 x 8 | 228.6 | 9 | 457.2 | 18 | 15.9 | 5/8 | 15.9 | 5/8 | 72 | 88 |
| 254.0 | 63.5 | 10 x 2 1/2 | 279.4 | 11 | 558.8 | 22 | 19.1 | 3/4 | 11.1 | 7/16 | 95 | 100 |
| 254.0 | 76.2 | 10 x 3 | 279.4 | 11 | 558.8 | 22 | 19.1 | 3/4 | 11.1 | 7/16 | 96 | 101 |
| 254.0 | 101.6 | 10 x 4 | 279.4 | 11 | 558.8 | 22 | 19.1 | 3/4 | 12.7 | 1/2 | 99 | 108 |
| 254.0 | 152.4 | 10 x 6 | 279.4 | 11 | 558.8 | 22 | 19.1 | 3/4 | 14.3 | 9/16 | 103 | 115 |
| 254.0 | 203.2 | 10 x 8 | 279.4 | 11 | 558.8 | 22 | 19.1 | 3/4 | 15.9 | 5/8 | 108 | 127 |
| 254.0 | 254.0 | 10 x 10 | 279.4 | 11 | 558.8 | 22 | 19.1 | 3/4 | 19.1 | 3/4 | 115 | 140 |
| 304.8 | 76.2 | 12 x 3 | 304.8 | 12 | 609.6 | 24 | 20.6 | 13/16 | 11.1 | 7/16 | 138 | 141 |
| 304.8 | 101.6 | 12 x 4 | 304.8 | 12 | 609.6 | 24 | 20.6 | 13/16 | 12.7 | 1/2 | 142 | 148 |
| 304.8 | 152.4 | 12 x 6 | 304.8 | 12 | 609.6 | 24 | 20.6 | 13/16 | 14.3 | 9/16 | 148 | 155 |
| 304.8 | 203.2 | 12 x 8 | 304.8 | 12 | 609.6 | 24 | 20.6 | 13/16 | 15.9 | 5/8 | 155 | 167 |
| 304.8 | 254.0 | 12 x 10 | 304.8 | 12 | 609.6 | 24 | 20.6 | 13/16 | 19.1 | 3/4 | 164 | 180 |
| 304.8 | 304.8 | 12 x 12 | 304.8 | 12 | 609.6 | 24 | 20.6 | 13/16 | 20.6 | 13/16 | 174 | 198 |
| 355.6 | 76.2 | 14 x 3 | 355.6 | 14 | 711.2 | 28 | 22.2 | 7/8 | 11.1 | 7/16 | 193 | 199 |
| 355.6 | 101.6 | 14 x 4 | 355.6 | 14 | 711.2 | 28 | 22.2 | 7/8 | 12.7 | 1/2 | 197 | 203 |
| 355.6 | 152.4 | 14 x 6 | 355.6 | 14 | 711.2 | 28 | 22.2 | 7/8 | 14.3 | 9/16 | 204 | 211 |
| 355.6 | 203.2 | 14 x 8 | 355.6 | 14 | 711.2 | 28 | 22.2 | 7/8 | 15.9 | 5/8 | 212 | 224 |
| 355.6 | 254.0 | 14 x 10 | 355.6 | 14 | 711.2 | 28 | 22.2 | 7/8 | 19.1 | 3/4 | 223 | 239 |
| 355.6 | 304.8 | 14 x 12 | 355.6 | 14 | 711.2 | 28 | 22.2 | 7/8 | 20.6 | 13/16 | 235 | 259 |
| 355.6 | 355.6 | 14 x 14 | 355.6 | 14 | 711.2 | 28 | 22.2 | 7/8 | 22.2 | 7/8 | 245 | 274 |
| 406.4 | 101.6 | 16 x 4 | 381.0 | 15 | 762.0 | 30 | 25.4 | 1 | 12.7 | 1/2 | 253 | 261 |
| 406.4 | 152.4 | 16 x 6 | 381.0 | 15 | 762.0 | 30 | 25.4 | 1 | 14.3 | 9/16 | 256 | 268 |
| 406.4 | 203.2 | 16 x 8 | 381.0 | 15 | 762.0 | 30 | 25.4 | 1 | 15.9 | 5/8 | 262 | 279 |
| 406.4 | 254.0 | 16 x 10 | 381.0 | 15 | 762.0 | 30 | 25.4 | 1 | 19.1 | 3/4 | 268 | 292 |
| 406.4 | 304.8 | 16 x 12 | 381.0 | 15 | 762.0 | 30 | 25.4 | 1 | 20.6 | 13/16 | 278 | 312 |
| 406.4 | 355.6 | 16 x 14 | 381.0 | 15 | 762.0 | 30 | 25.4 | 1 | 22.2 | 7/8 | 285 | 326 |



CONEXIONES Y VÁLVULAS RUD

CRUCES Y TES

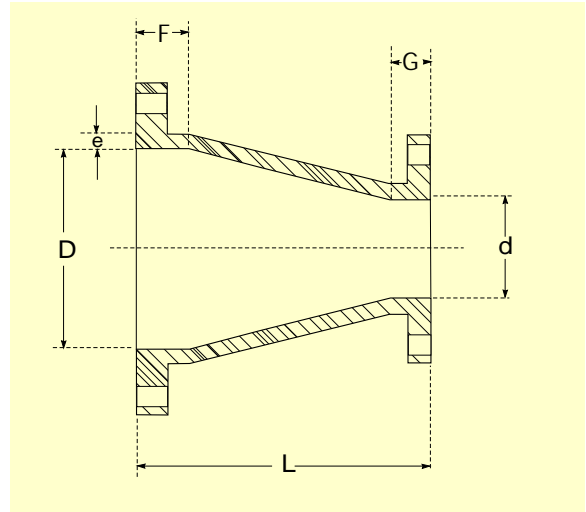
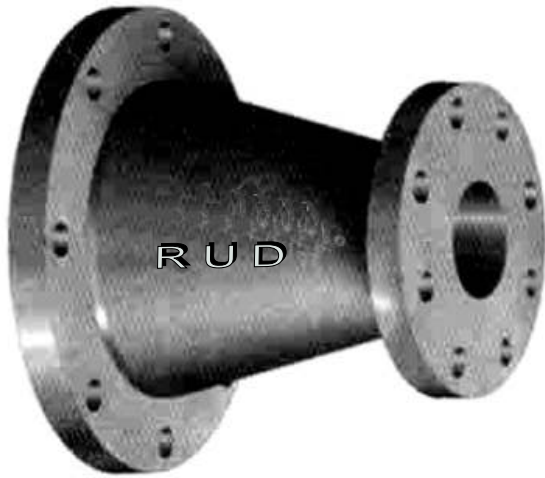
ESPECIFICACIONES SEGUN AWWA C-110

| DIÁMETRO NOMINAL | | | DISTANCIAS | | | | ESPESOR DE LA PARED | | | | PESO APROX. | |
|------------------|-------|---------|------------|--------|--------|-----|---------------------|--------|-------------|--------|-------------|------|
| d | d' | d x d' | L | | A | | DIAM. MAYOR | | DIAM. MENOR | | TES | CRUZ |
| mm | mm | plg | mm | plg | mm | plg | mm | plg | mm | plg | kg | kg |
| 406.4 | 406.4 | 16 x 16 | 381.0 | 15 | 762.0 | 30 | 25.4 | 1 | 25.4 | 1 | 298 | 352 |
| 457.2 | 101.6 | 18 x 4 | 393.7 | 15 1/2 | 660.4 | 26 | 27.0 | 1 1/16 | 12.7 | 1/2 | 313 | 322 |
| 457.2 | 152.4 | 18 x 6 | 393.7 | 15 1/2 | 660.4 | 26 | 27.0 | 1 1/16 | 14.3 | 9/16 | 316 | 328 |
| 457.2 | 203.2 | 18 x 8 | 393.7 | 15 1/2 | 660.4 | 26 | 27.0 | 1 1/16 | 15.9 | 5/8 | 322 | 340 |
| 457.2 | 254.0 | 18 x 10 | 393.7 | 15 1/2 | 660.4 | 26 | 27.0 | 1 1/16 | 19.1 | 3/4 | 329 | 354 |
| 457.2 | 304.8 | 18 x 12 | 393.7 | 15 1/2 | 660.4 | 26 | 27.0 | 1 1/16 | 20.6 | 13/16 | 339 | 376 |
| 457.2 | 355.6 | 18 x 14 | 419.1 | 16 1/2 | 838.2 | 33 | 27.0 | 1 1/16 | 22.2 | 7/8 | 346 | 387 |
| 457.2 | 406.4 | 18 x 16 | 419.1 | 16 1/2 | 838.2 | 33 | 27.0 | 1 1/16 | 25.4 | 1 | 359 | 413 |
| 457.2 | 457.2 | 18 x 18 | 419.1 | 16 1/2 | 838.2 | 33 | 27.0 | 1 1/16 | 27.0 | 1 1/16 | 365 | 425 |
| 508.0 | 101.6 | 20 x 4 | 431.8 | 17 | 711.2 | 28 | 28.6 | 1 1/8 | 12.7 | 1/2 | 398 | 407 |
| 508.0 | 152.4 | 20 x 6 | 431.8 | 17 | 711.2 | 28 | 28.6 | 1 1/8 | 14.3 | 9/16 | 402 | 414 |
| 508.0 | 203.2 | 20 x 8 | 431.8 | 17 | 711.2 | 28 | 28.6 | 1 1/8 | 15.9 | 5/8 | 407 | 426 |
| 508.0 | 254.0 | 20 x 10 | 431.8 | 17 | 711.2 | 28 | 28.6 | 1 1/8 | 19.1 | 3/4 | 415 | 440 |
| 508.0 | 304.8 | 20 x 12 | 431.8 | 17 | 711.2 | 28 | 28.6 | 1 1/8 | 20.6 | 13/16 | 424 | 459 |
| 508.0 | 355.6 | 20 x 14 | 431.8 | 17 | 711.2 | 28 | 28.6 | 1 1/8 | 22.2 | 7/8 | 432 | 474 |
| 508.0 | 406.4 | 20 x 16 | 457.2 | 18 | 914.4 | 36 | 28.6 | 1 1/8 | 25.4 | 1 | 444 | 499 |
| 508.0 | 457.2 | 20 x 18 | 457.2 | 18 | 914.4 | 36 | 28.6 | 1 1/8 | 27.0 | 1 1/16 | 450 | 511 |
| 508.0 | 508.0 | 20 x 20 | 457.2 | 18 | 914.4 | 36 | 28.6 | 1 1/8 | 28.6 | 1 1/8 | 465 | 540 |
| 609.6 | 101.6 | 24 x 4 | 482.6 | 19 | 762.0 | 30 | 31.8 | 1 1/4 | 12.7 | 1/2 | 626 | 637 |
| 609.6 | 152.4 | 24 x 6 | 482.6 | 19 | 762.0 | 30 | 31.8 | 1 1/4 | 14.3 | 9/16 | 631 | 649 |
| 609.6 | 203.2 | 24 x 8 | 482.6 | 19 | 762.0 | 30 | 31.8 | 1 1/4 | 15.9 | 5/8 | 640 | 665 |
| 609.6 | 254.0 | 24 x 10 | 482.6 | 19 | 762.0 | 30 | 31.8 | 1 1/4 | 19.1 | 3/4 | 650 | 685 |
| 609.6 | 304.8 | 24 x 12 | 482.6 | 19 | 762.0 | 30 | 31.8 | 1 1/4 | 20.6 | 13/16 | 662 | 709 |
| 609.6 | 355.6 | 24 x 14 | 482.6 | 19 | 762.0 | 30 | 31.8 | 1 1/4 | 22.2 | 7/8 | 672 | 730 |
| 609.6 | 406.4 | 24 x 16 | 482.6 | 19 | 762.0 | 30 | 31.8 | 1 1/4 | 25.4 | 1 | 686 | 758 |
| 609.6 | 457.2 | 24 x 18 | 558.8 | 22 | 1117.6 | 44 | 31.8 | 1 1/4 | 27.0 | 1 1/16 | 693 | 773 |
| 609.6 | 508.0 | 24 x 20 | 558.8 | 22 | 1117.6 | 44 | 31.8 | 1 1/4 | 28.6 | 1 1/8 | 714 | 800 |
| 609.6 | 609.6 | 24 x 24 | 558.8 | 22 | 1117.6 | 44 | 31.8 | 1 1/4 | 31.8 | 1 1/4 | 731 | 848 |
| 762.0 | 101.6 | 30 x 4 | 584.2 | 23 | 914.4 | 36 | 36.5 | 1 7/16 | 12.7 | 1/2 | 994 | 1005 |
| 762.0 | 152.4 | 30 x 6 | 584.2 | 23 | 914.4 | 36 | 36.5 | 1 7/16 | 14.3 | 9/16 | 999 | 1016 |
| 762.0 | 203.2 | 30 x 8 | 584.2 | 23 | 914.4 | 36 | 36.5 | 1 7/16 | 15.9 | 5/8 | 1007 | 1032 |
| 762.0 | 254.0 | 30 x 10 | 584.2 | 23 | 914.4 | 36 | 36.5 | 1 7/16 | 19.1 | 3/4 | 1017 | 1052 |
| 762.0 | 304.8 | 30 x 12 | 584.2 | 23 | 914.4 | 36 | 36.5 | 1 7/16 | 20.6 | 13/16 | 1029 | 1076 |
| 762.0 | 355.6 | 30 x 14 | 584.2 | 23 | 914.4 | 36 | 36.5 | 1 7/16 | 22.2 | 7/8 | 1040 | 1097 |
| 762.0 | 406.4 | 30 x 16 | 584.2 | 23 | 914.4 | 36 | 36.5 | 1 7/16 | 25.4 | 1 | 1053 | 1124 |
| 762.0 | 457.2 | 30 x 18 | 584.2 | 23 | 914.4 | 36 | 36.5 | 1 7/16 | 27.0 | 1 1/16 | 1060 | 1138 |
| 762.0 | 508.0 | 30 x 20 | 584.2 | 23 | 914.4 | 36 | 36.5 | 1 7/16 | 28.6 | 1 1/8 | 1074 | 1165 |
| 762.0 | 609.6 | 30 x 24 | 635.0 | 25 | 1270.0 | 50 | 36.5 | 1 7/16 | 31.8 | 1 1/4 | 1098 | 1213 |
| 762.0 | 762.0 | 30 x 30 | 635.0 | 25 | 1270.0 | 50 | 36.5 | 1 7/16 | 36.5 | 1 7/16 | 1134 | 1287 |
| 914.4 | 152.4 | 36 x 6 | 660.4 | 26 | 1016.0 | 40 | 41.3 | 1 5/8 | 14.3 | 9/16 | 1503 | 1519 |
| 914.4 | 203.2 | 36 x 8 | 660.4 | 26 | 1016.0 | 40 | 41.3 | 1 5/8 | 15.9 | 5/8 | 1511 | 1535 |
| 914.4 | 254.0 | 36 x 10 | 660.4 | 26 | 1016.0 | 40 | 41.3 | 1 5/8 | 19.1 | 3/4 | 1520 | 1555 |
| 914.4 | 304.8 | 36 x 12 | 660.4 | 26 | 1016.0 | 40 | 41.3 | 1 5/8 | 20.6 | 13/16 | 1532 | 1579 |
| 914.4 | 355.6 | 36 x 14 | 660.4 | 26 | 1016.0 | 40 | 41.3 | 1 5/8 | 22.2 | 7/8 | 1542 | 1599 |
| 914.4 | 406.4 | 36 x 16 | 660.4 | 26 | 1016.0 | 40 | 41.3 | 1 5/8 | 25.4 | 1 | 1556 | 1625 |
| 914.4 | 457.2 | 36 x 18 | 660.4 | 26 | 1016.0 | 40 | 41.3 | 1 5/8 | 27.0 | 1 1/16 | 1563 | 1639 |
| 914.4 | 508.0 | 36 x 20 | 660.4 | 26 | 1016.0 | 40 | 41.3 | 1 5/8 | 28.6 | 1 1/8 | 1576 | 1665 |
| 914.4 | 609.6 | 36 x 24 | 660.4 | 26 | 1016.0 | 40 | 41.3 | 1 5/8 | 31.8 | 1 1/4 | 1600 | 1714 |
| 914.4 | 762.0 | 36 x 30 | 711.2 | 28 | 1422.4 | 56 | 41.3 | 1 5/8 | 36.5 | 1 7/16 | 1636 | 1787 |
| 914.4 | 914.4 | 36 x 36 | 711.2 | 28 | 1422.4 | 56 | 41.3 | 1 5/8 | 41.3 | 1 5/8 | 1678 | 1870 |



CONEXIONES Y VÁLVULAS RUD

REDUCCIONES



ESPECIFICACIONES SEGUN AWWA C-110

| DIÁM. NOMINAL | | DISTANCIAS | | | | | | ESPESOR DE | | PESO |
|---------------|-----------|------------|-------|------|-------|------|-------|------------|-------|--------|
| D x d | | L | | F | | G | | LA PARED | e | APROX. |
| mm | plg | mm | plg | mm | plg | mm | plg | mm | plg | Kg |
| 63.5 x 50.8 | 2 1/2 x 2 | 139.7 | 5 1/2 | 31.8 | 1 1/4 | 31.8 | 1 1/4 | 11.1 | 7/16 | 6.7 |
| 76.2 x 50.8 | 3 x 2 | 152.4 | 6 | 38.1 | 1 1/2 | 38.1 | 1 1/2 | 11.1 | 7/16 | 7 |
| 76.2 x 53.5 | 3 x 2 1/2 | 152.4 | 6 | 38.1 | 1 1/2 | 38.1 | 1 1/2 | 11.1 | 7/16 | 8 |
| 101.6 x 50.8 | 4 x 2 | 177.8 | 7 | 38.1 | 1 1/2 | 38.1 | 1 1/2 | 12.7 | 1/2 | 11 |
| 101.6 x 63.5 | 4 x 2 1/2 | 177.8 | 7 | 38.1 | 1 1/2 | 38.1 | 1 1/2 | 12.7 | 1/2 | 12 |
| 101.6 x 76.2 | 4 x 3 | 177.8 | 7 | 38.1 | 1 1/2 | 38.1 | 1 1/2 | 12.7 | 1/2 | 13 |
| 152.4 x 50.8 | 6 x 2 | 228.6 | 9 | 50.8 | 2 | 38.1 | 1 1/2 | 14.3 | 9/16 | 17 |
| 152.4 x 63.5 | 6 x 2 1/2 | 228.6 | 9 | 50.8 | 2 | 38.1 | 1 1/2 | 14.3 | 9/16 | 18 |
| 152.4 x 76.2 | 6 x 3 | 228.6 | 9 | 50.8 | 2 | 38.1 | 1 1/2 | 14.3 | 9/16 | 19 |
| 152.4 x 101.6 | 6 x 4 | 228.6 | 9 | 50.8 | 2 | 38.1 | 1 1/2 | 14.3 | 9/16 | 22 |
| 203.2 x 50.8 | 8 x 2 | 279.4 | 11 | 50.8 | 2 | 38.1 | 1 1/2 | 15.9 | 5/8 | 26 |
| 203.2 x 63.5 | 8 x 2 1/2 | 279.4 | 11 | 50.8 | 2 | 38.1 | 1 1/2 | 15.9 | 5/8 | 28 |
| 203.2 x 76.2 | 8 x 3 | 279.4 | 11 | 50.8 | 2 | 38.1 | 1 1/2 | 15.9 | 5/8 | 29 |
| 203.2 x 101.6 | 8 x 4 | 279.4 | 11 | 50.8 | 2 | 38.1 | 1 1/2 | 15.9 | 5/8 | 32 |
| 203.2 x 152.4 | 8 x 6 | 279.4 | 11 | 50.8 | 2 | 50.8 | 2 | 15.9 | 5/8 | 36 |
| 254.0 x 76.2 | 10 x 3 | 304.8 | 12 | 50.8 | 2 | 38.1 | 1 1/2 | 19.1 | 3/4 | 40 |
| 254.0 x 101.6 | 10 x 4 | 304.8 | 12 | 50.8 | 2 | 38.1 | 1 1/2 | 19.1 | 3/4 | 43 |
| 254.0 x 152.4 | 10 x 6 | 304.8 | 12 | 50.8 | 2 | 50.8 | 2 | 19.1 | 3/4 | 47 |
| 254.0 x 203.2 | 10 x 8 | 304.8 | 12 | 50.8 | 2 | 50.8 | 2 | 19.1 | 3/4 | 54 |
| 304.8 x 76.2 | 12 x 3 | 355.6 | 14 | 50.8 | 2 | 38.1 | 1 1/2 | 20.6 | 13/16 | 57 |
| 304.8 x 101.6 | 12 x 4 | 355.6 | 14 | 50.8 | 2 | 38.1 | 1 1/2 | 20.6 | 13/16 | 61 |
| 304.8 x 152.4 | 12 x 6 | 356.6 | 14 | 50.8 | 2 | 50.8 | 2 | 20.6 | 13/16 | 66 |
| 304.8 x 203.2 | 12 x 8 | 356.6 | 14 | 50.8 | 2 | 50.8 | 2 | 20.6 | 13/16 | 73 |
| 304.8 x 254.0 | 12 x 10 | 356.6 | 14 | 50.8 | 2 | 50.8 | 2 | 20.6 | 13/16 | 81 |
| 356.8 x 101.6 | 14 x 4 | 406.4 | 16 | 50.8 | 2 | 38.1 | 1 1/2 | 22.2 | 7/8 | 79 |

NOTA: Extremos bridados según Norma ANSI B 16.1 Pag. #1



CONEXIONES Y VÁLVULAS RUD

REDUCCIONES

ESPECIFICACIONES SEGUN AWWA C-110

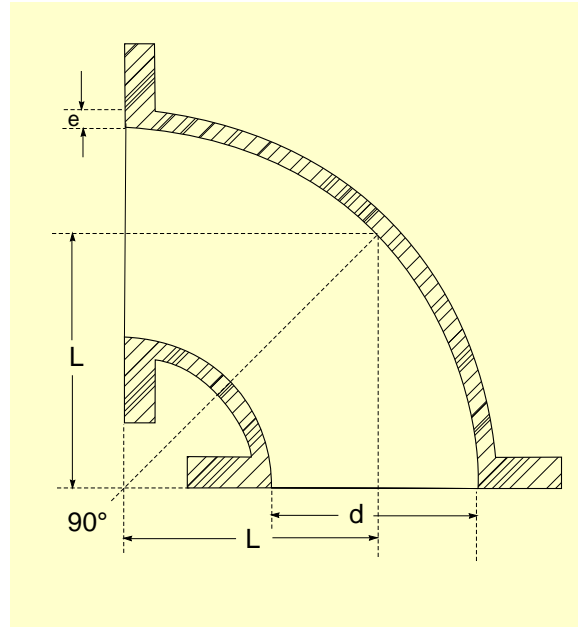
| DIÁM. NOMINAL | | DISTANCIAS | | | | | | ESPELOR DE | | PESO |
|---------------|---------|------------|-----|------|-----|------|-------|------------|--------|--------|
| D x d | | L | | F | | G | | LA PARED e | | APROX. |
| mm | plg | mm | plg | mm | plg | mm | plg | mm | plg | Kg |
| 355.6 x 152.4 | 14 x 6 | 406.4 | 16 | 50.8 | 2 | 50.8 | 2 | 22.2 | 7/8 | 84 |
| 355.6 x 203.2 | 14 x 8 | 406.4 | 16 | 50.8 | 2 | 50.8 | 2 | 22.2 | 7/8 | 93 |
| 355.6 x 254.0 | 14 x 10 | 406.4 | 16 | 50.8 | 2 | 50.8 | 2 | 22.2 | 7/8 | 101 |
| 355.6 x 304.8 | 14 x 12 | 406.4 | 16 | 50.8 | 2 | 50.8 | 2 | 22.2 | 7/8 | 113 |
| 406.4 x 101.6 | 16 x 4 | 457.2 | 18 | 50.8 | 2 | 38.1 | 1 1/2 | 25.4 | 1 | 106 |
| 406.4 x 152.4 | 16 x 6 | 457.2 | 18 | 50.8 | 2 | 50.8 | 2 | 25.4 | 1 | 113 |
| 406.4 x 203.2 | 16 x 8 | 457.2 | 18 | 50.8 | 2 | 50.8 | 2 | 25.4 | 1 | 123 |
| 406.4 x 254.0 | 16 x 10 | 457.2 | 18 | 50.8 | 2 | 50.8 | 2 | 25.4 | 1 | 132 |
| 406.4 x 304.8 | 16 x 12 | 457.2 | 18 | 50.8 | 2 | 50.8 | 2 | 25.4 | 1 | 146 |
| 406.4 x 355.6 | 16 x 14 | 457.2 | 18 | 50.8 | 2 | 50.8 | 2 | 25.4 | 1 | 156 |
| 457.2 x 101.6 | 18 x 4 | 482.6 | 19 | 50.8 | 2 | 38.1 | 1 1/2 | 27.0 | 1 1/16 | 124 |
| 457.2 x 152.4 | 18 x 6 | 482.6 | 19 | 50.8 | 2 | 50.8 | 2 | 27.0 | 1 1/16 | 131 |
| 457.2 x 203.2 | 18 x 8 | 482.6 | 19 | 50.8 | 2 | 50.8 | 2 | 27.0 | 1 1/16 | 141 |
| 457.2 x 254.0 | 18 x 10 | 482.6 | 19 | 50.8 | 2 | 50.8 | 2 | 27.0 | 1 1/16 | 152 |
| 457.2 x 304.8 | 18 x 12 | 482.6 | 19 | 50.8 | 2 | 50.8 | 2 | 27.0 | 1 1/16 | 166 |
| 457.2 x 355.6 | 18 x 14 | 482.6 | 19 | 50.8 | 2 | 50.8 | 2 | 27.0 | 1 1/16 | 177 |
| 457.2 x 406.4 | 18 x 16 | 482.6 | 19 | 50.8 | 2 | 50.8 | 2 | 27.0 | 1 1/16 | 191 |
| 508.0 x 152.4 | 20 x 6 | 508.0 | 20 | 76.2 | 3 | 50.8 | 2 | 27.0 | 1 1/16 | 161 |
| 508.0 x 203.2 | 20 x 8 | 508.0 | 20 | 76.2 | 3 | 50.8 | 2 | 28.6 | 1 1/8 | 172 |
| 508.0 x 254.0 | 20 x 10 | 508.0 | 20 | 76.2 | 3 | 50.8 | 2 | 28.6 | 1 1/8 | 183 |
| 508.0 x 304.8 | 20 x 12 | 508.0 | 20 | 76.2 | 3 | 50.8 | 2 | 28.6 | 1 1/8 | 198 |
| 508.0 x 355.6 | 20 x 14 | 508.0 | 20 | 76.2 | 3 | 50.8 | 2 | 28.6 | 1 1/8 | 209 |
| 508.0 x 406.4 | 20 x 16 | 508.0 | 20 | 76.2 | 3 | 50.8 | 2 | 28.6 | 1 1/8 | 223 |
| 508.0 x 457.2 | 20 x 18 | 508.0 | 20 | 76.2 | 3 | 50.8 | 2 | 28.6 | 1 1/8 | 232 |
| 609.6 x 203.2 | 24 x 8 | 609.6 | 24 | 76.2 | 3 | 50.8 | 2 | 31.8 | 1 1/4 | 252 |
| 609.6 x 254.0 | 24 x 10 | 609.6 | 24 | 76.2 | 3 | 50.8 | 2 | 31.8 | 1 1/4 | 266 |
| 609.6 x 304.8 | 24 x 12 | 609.6 | 24 | 76.2 | 3 | 50.8 | 2 | 31.8 | 1 1/4 | 283 |
| 609.6 x 355.6 | 24 x 14 | 609.6 | 24 | 76.2 | 3 | 50.8 | 2 | 31.8 | 1 1/4 | 297 |
| 609.6 x 406.4 | 24 x 16 | 609.6 | 24 | 76.2 | 3 | 50.8 | 2 | 31.8 | 1 1/4 | 313 |
| 609.6 x 457.2 | 24 x 18 | 609.6 | 24 | 76.2 | 3 | 50.8 | 2 | 31.8 | 1 1/4 | 325 |
| 609.6 x 508.0 | 24 x 20 | 609.6 | 24 | 76.2 | 3 | 76.2 | 3 | 31.8 | 1 1/4 | 343 |
| 762.0 x 304.8 | 30 x 12 | 762.0 | 30 | 76.2 | 3 | 50.8 | 2 | 36.5 | 1 7/16 | 450 |
| 762.0 x 355.6 | 30 x 14 | 762.0 | 30 | 76.2 | 3 | 50.8 | 2 | 36.5 | 1 7/16 | 469 |
| 762.0 x 406.4 | 30 x 16 | 762.0 | 30 | 76.2 | 3 | 50.8 | 2 | 36.5 | 1 7/16 | 490 |
| 762.0 x 457.2 | 30 x 18 | 762.0 | 30 | 76.2 | 3 | 50.8 | 2 | 36.5 | 1 7/16 | 506 |
| 762.0 x 508.0 | 30 x 20 | 762.0 | 30 | 76.2 | 3 | 76.2 | 3 | 36.5 | 1 7/16 | 527 |
| 762.0 x 609.6 | 30 x 24 | 762.0 | 30 | 76.2 | 3 | 76.2 | 3 | 36.5 | 1 7/16 | 573 |
| 914.4 x 457.2 | 36 x 18 | 914.4 | 36 | 76.2 | 3 | 50.8 | 2 | 41.3 | 1 5/8 | 756 |
| 914.4 x 508.0 | 36 x 20 | 914.4 | 36 | 76.2 | 3 | 76.2 | 3 | 41.3 | 1 5/8 | 779 |
| 914.4 x 609.6 | 36 x 24 | 914.4 | 36 | 76.2 | 3 | 76.2 | 3 | 41.3 | 1 5/8 | 836 |
| 914.4 x 762.0 | 36 x 30 | 914.4 | 36 | 76.2 | 3 | 76.2 | 3 | 41.3 | 1 5/8 | 927 |

NOTA: Extremos bridados según Norma ANSI B 16.1 Pag. #1



CONEXIONES Y VÁLVULAS RUD

CODOS A 90°



ESPECIFICACIONES SEGUN AWWA C-110

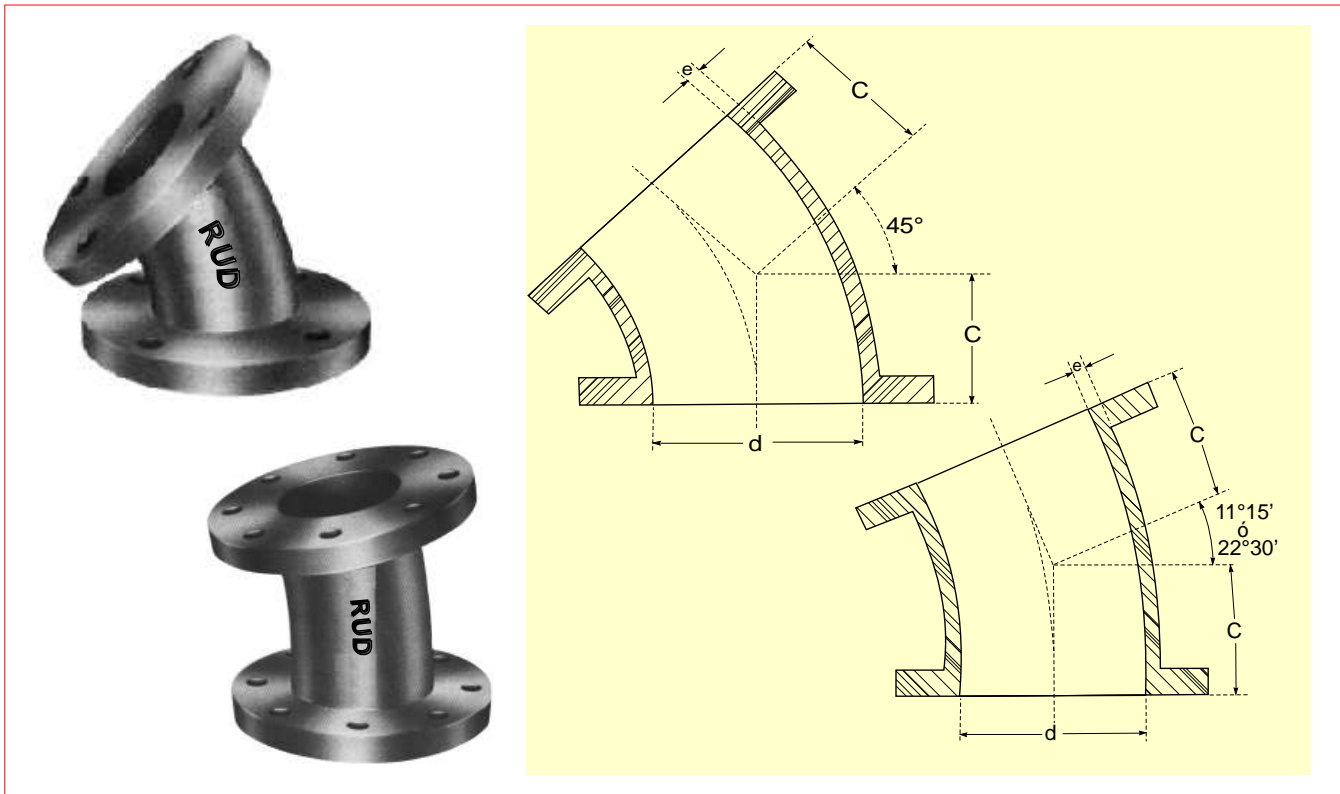
| DIÁMETRO NOMINAL | | DISTANCIA | | ESPESOR DE LA PIEZA | | PESO APROXIMADO |
|------------------|-------|-----------|--------|---------------------|--------|-----------------|
| d | | L | | e | | |
| mm | plg | mm | plg | mm | plg | kg |
| 50.8 | 2 | 114.3 | 4 1/2 | 11.1 | 7/16 | 6 |
| 63.5 | 2 1/2 | 127.0 | 5 | 11.1 | 7/16 | 9 |
| 76.2 | 3 | 139.7 | 5 1/2 | 11.1 | 7/16 | 11 |
| 101.6 | 4 | 165.1 | 6 1/2 | 12.7 | 1/2 | 18 |
| 152.4 | 6 | 203.2 | 8 | 14.3 | 9/16 | 30 |
| 203.2 | 8 | 228.6 | 9 | 15.9 | 5/8 | 48 |
| 254.0 | 10 | 279.4 | 11 | 19.1 | 3/4 | 78 |
| 304.8 | 12 | 304.8 | 12 | 20.6 | 13/16 | 113 |
| 355.6 | 14 | 355.6 | 14 | 22.2 | 7/8 | 154 |
| 406.4 | 16 | 381.0 | 15 | 25.4 | 1 | 208 |
| 457.2 | 18 | 419.1 | 16 1/2 | 27.0 | 1 1/16 | 256 |
| 508.0 | 20 | 457.2 | 18 | 28.6 | 1 1/8 | 328 |
| 609.6 | 24 | 558.8 | 22 | 31.8 | 1 1/4 | 513 |
| 762.0 | 30 | 635.0 | 25 | 36.5 | 1 7/16 | 818 |
| 914.4 | 36 | 711.2 | 28 | 41.3 | 1 5/8 | 1236 |

NOTA: Extremos bridados según Norma ANSI B 16.1 Pag. #1



CONEXIONES Y VÁLVULAS RUD

CODOS A 45°, 22°30' y 11°15'



ESPECIFICACIONES SEGUN AWWA C-110

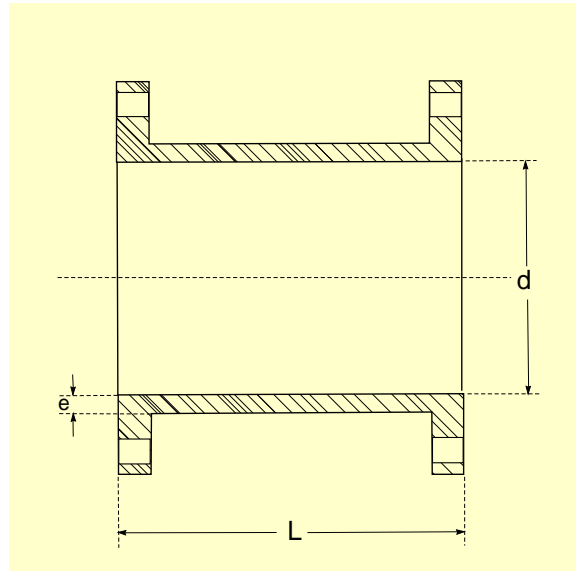
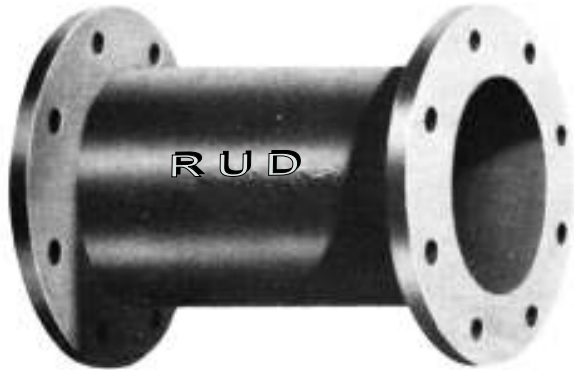
| DIÁMETRO NOMINAL | | DISTANCIA | | ESPESOR DE LA PIEZA | | PESO APROXIMADO |
|------------------|-------|-----------|-------|---------------------|--------|-----------------|
| d | | c | | e | | |
| mm | plg | mm | plg | mm | plg | kg |
| 50.8 | 2 | 63.5 | 2 1/2 | 11.1 | 7/16 | 5 |
| 63.5 | 2 1/2 | 76.2 | 3 | 11.1 | 7/16 | 8 |
| 76.2 | 3 | 76.2 | 3 | 11.1 | 7/16 | 9 |
| 101.6 | 4 | 101.6 | 4 | 12.7 | 1/2 | 16 |
| 152.4 | 6 | 127.0 | 5 | 14.3 | 9/16 | 26 |
| 203.2 | 8 | 139.7 | 5 1/2 | 15.9 | 5/8 | 42 |
| 254.0 | 10 | 165.1 | 6 1/2 | 19.1 | 3/4 | 65 |
| 304.8 | 12 | 190.5 | 7 1/2 | 20.6 | 13/16 | 98 |
| 355.6 | 14 | 190.5 | 7 1/2 | 22.2 | 7/8 | 121 |
| 406.4 | 16 | 203.2 | 8 | 25.4 | 1 | 161 |
| 457.2 | 18 | 215.9 | 8 1/2 | 27.0 | 1 1/16 | 190 |
| 508.0 | 20 | 241.3 | 9 1/2 | 28.6 | 1 1/8 | 247 |
| 609.6 | 24 | 279.4 | 11 | 31.8 | 1 1/4 | 367 |
| 762.0 | 30 | 381.0 | 15 | 36.5 | 1 7/16 | 669 |
| 914.4 | 36 | 457.2 | 18 | 41.3 | 1 5/8 | 1068 |

NOTA: Extremos bridados según Norma ANSI B 16.1 Pag. #1



CONEXIONES Y VÁLVULAS RUD

CARRETES



ESPECIFICACIONES SEGUN AWWA C-110

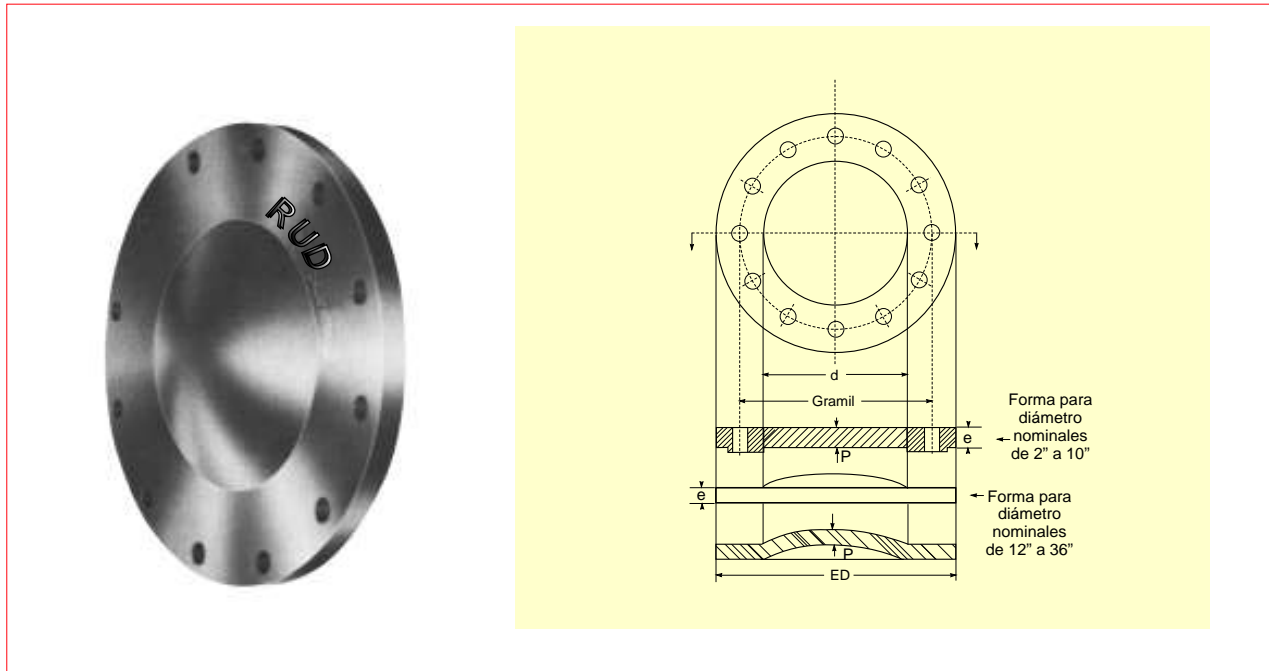
| DIÁMETRO NOMINAL d | | ESPESOR DE LA PARED e | | LONGITUD EN mm L | | PESO APROXIMADO EN Kg. | |
|-----------------------|-------|-----------------------------|--------|------------------------|--------|---------------------------|--------|
| mm | plg | mm | plg | Largos | Cortos | Largos | Cortos |
| 50.8 | 2 | 11.1 | 7/16 | 500 | 250 | 11 | 7 |
| 63.5 | 2 1/2 | 11.1 | 7/16 | 500 | 250 | 14 | 9 |
| 76.2 | 3 | 11.1 | 7/16 | 500 | 250 | 17 | 11 |
| 101.6 | 4 | 12.7 | 1/2 | 500 | 250 | 26 | 17 |
| 152.4 | 6 | 14.3 | 9/16 | 500 | 250 | 39 | 26 |
| 203.2 | 8 | 15.9 | 5/8 | 500 | 250 | 59 | 39 |
| 254.0 | 10 | 19.1 | 3/4 | 500 | 250 | 84 | 54 |
| 304.8 | 12 | 20.6 | 13/16 | 500 | 250 | 114 | 76 |
| 355.6 | 14 | 22.2 | 7/8 | 500 | 250 | 140 | 103 |
| 406.4 | 16 | 25.4 | 1 | 500 | 250 | 180 | 118 |
| 457.2 | 18 | 27.0 | 1 1/16 | 500 | 250 | 204 | 131 |
| 508.0 | 20 | 28.6 | 1 1/8 | 500 | 250 | 246 | 159 |
| 609.6 | 24 | 31.8 | 1 1/4 | 500 | 250 | 329 | 214 |
| 762.0 | 30 | 36.5 | 1 7/16 | 500 | 250 | 475 | 310 |
| 914.4 | 36 | 41.3 | 1 5/8 | 750 | 400 | 885 | 573 |

NOTA: Extremos bridados según Norma ANSI B 16.1 Pag. #1



CONEXIONES Y VÁLVULAS RUD

TAPAS CIEGAS



ESPECIFICACIONES SEGUN AWWA C-110

| DIÁMETRO NOMINAL d | | DIÁMETRO DE LA BRIDA ED | | ESPESOR MÍNIMO DE LA BRIDA e | | ESPESOR DE LA PARED P | | PESO APROX. |
|-----------------------|-------|----------------------------|--------|---------------------------------|---------|--------------------------|--------|-------------|
| mm | plg | mm | plg | mm | plg | mm | plg | Kg |
| 50.8 | 2 | 152.4 | 6 | 15.9 | 5/8 | 14.3 | 9/16 | 2.0 |
| 63.5 | 2 1/2 | 177.8 | 7 | 17.5 | 11/16 | 15.9 | 5/8 | 3.0 |
| 76.2 | 3 | 190.5 | 7 1/2 | 19.1 | 3/4 | 17.5 | 11/16 | 3.7 |
| 101.6 | 4 | 228.6 | 9 | 23.8 | 15/16 | 22.2 | 7/8 | 6.5 |
| 152.4 | 6 | 279.4 | 11 | 25.4 | 1 | 23.8 | 15/16 | 10.5 |
| 203.2 | 8 | 342.9 | 13 1/2 | 28.6 | 1 1/8 | 27.0 | 1 1/16 | 18.0 |
| 254.0 | 10 | 406.4 | 16 | 30.2 | 1 3/16 | 28.6 | 1 1/8 | 26.3 |
| 304.8 | 12 | 482.6 | 19 | 31.8 | 1 1/4 | 20.6 | 13/16 | 35.8 |
| 355.6 | 14 | 533.4 | 21 | 34.9 | 1 3/8 | 22.2 | 7/8 | 46.8 |
| 406.4 | 16 | 596.9 | 23 1/2 | 36.5 | 1 7/16 | 25.4 | 1 | 62.5 |
| 457.2 | 18 | 635.0 | 25 | 39.7 | 1 9/16 | 27.0 | 1 1/16 | 74.7 |
| 508.0 | 20 | 698.5 | 27 1/2 | 42.9 | 1 11/16 | 28.6 | 1 1/8 | 96.5 |
| 609.6 | 24 | 812.8 | 32 | 47.6 | 1 7/8 | 31.8 | 1 1/4 | 144.1 |
| 762.0 | 30 | 984.3 | 38 3/4 | 54.0 | 2 1/8 | 36.5 | 1 7/16 | 238.4 |
| 914.4 | 36 | 1168.4 | 46 | 60.3 | 2 3/6 | 41.3 | 1 5/8 | 373.4 |
| 1066.8 | 42 | 1346.2 | 53 | 66.7 | 2 5/8 | 44.5 | 1 3/4 | 650.0 |

NOTA: Se surten con taladro y rosca NPT a solicitud.

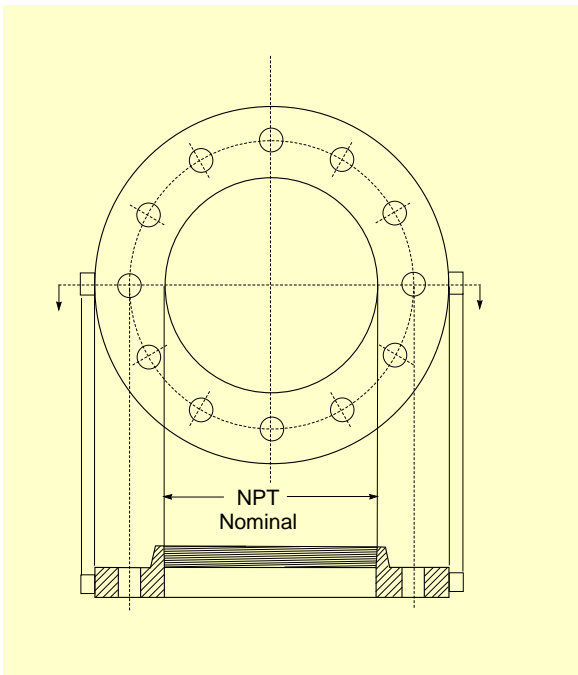


CONEXIONES Y VÁLVULAS RUD

CONTRABRIDAS Ó BRIDAS ROSCADAS



ESPECIFICACIONES SEGUN AWWA C-110 Y C-115

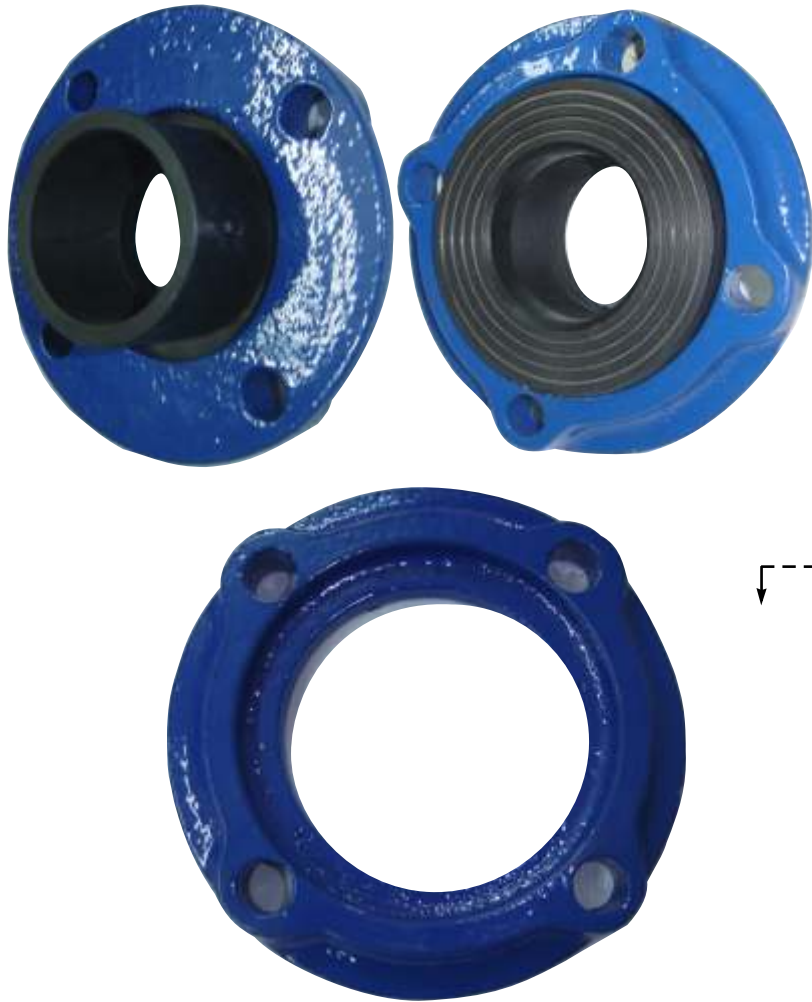


| DIÁMETRO NOMINAL d | | PESO APROXIMADO |
|-----------------------|-------|--------------------|
| mm | Pulg. | Kg. |
| 50.8 | 2 | 1.8 |
| 63.5 | 2 1/2 | 3.0 |
| 76.2 | 3 | 4.0 |
| 101.6 | 4 | 4.6 |
| 152.4 | 6 | 8.7 |
| 203.6 | 8 | 10.4 |
| 254.0 | 10 | 14.2 |
| 304.8 | 12 | 21.0 |

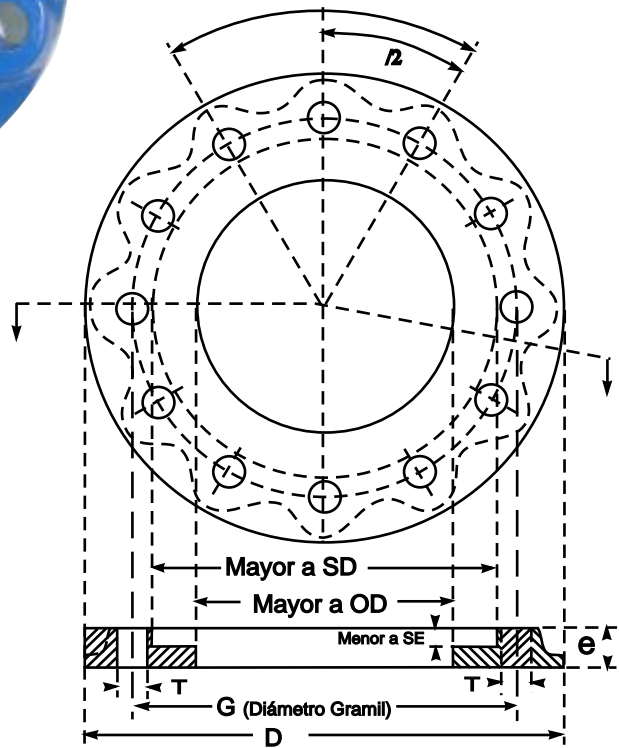
NOTA: Las Bridas roscadas tienen rosca NPT correspondiente con su diámetro nominal en pulgadas.



CONEXIONES Y VÁLVULAS RUD



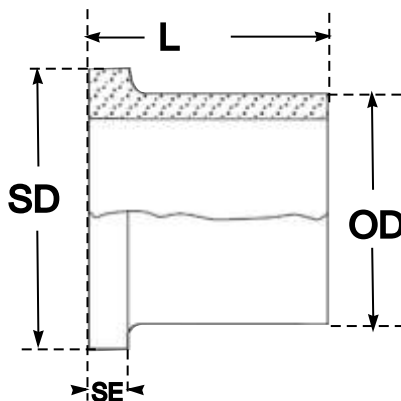
CONTRA BRIDA PARA STUB END



DIMENSIONES

Diámetros D, T, G, Espesor e, # de T (Taladros ó Barrenos) y Ángulos r y R CONFORME A Standard ASME/ANSI B16.1 para Bridas Clase 125 (pag. 1) Dimensiones OD, SD y SE conforme a Stub End comunes

DIMENSIONES COMUNES DE STUB END

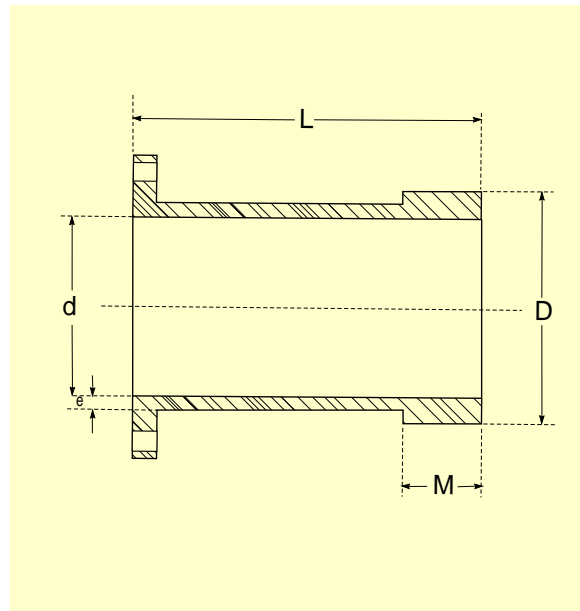


| Nominal | OD | SE | L | SD |
|---------|-------|-----|------|------|
| 2 | 2.375 | 0.4 | 6.0 | 4.0 |
| 3 | 3.5 | 0.6 | 6.0 | 5.0 |
| 4 | 4.5 | 0.8 | 6.0 | 6.6 |
| 6 | 6.625 | 0.8 | 8.0 | 8.5 |
| 8 | 8.625 | 1.6 | 9.0 | 10.6 |
| 10 | 10.75 | 1.6 | 9.0 | 12.8 |
| 12 | 12.75 | 2.3 | 10.8 | 15.0 |
| 14 | 14.0 | 2.6 | 11.0 | 17.5 |
| 16 | 16.0 | 3.0 | 12.0 | 20.0 |
| 18 | 18.0 | 3.3 | 12.0 | 21.1 |



CONEXIONES Y VÁLVULAS RUD

EXTREMIDADES



ESPECIFICACIONES SEGUN AWWA C-110

| DIÁM. NOMINAL d | | DIÁM. EXTERIOR D | ESPESOR DE LA PARED e | | LONGITUD L | LONG. DEL MAQUINADO M | | PESO APROX. Kg |
|--------------------|-------|---|--------------------------|--------|---------------|--------------------------|---------|-------------------|
| mm | plg | | mm | plg | | mm | mm | |
| 508 | 2 | SE SURTEN EN DIÁMETROS ESPECIALES PARA TUBERÍAS CLASE A-5, A-7, A-10 y A-14. DE FIERRO y PVC | 11.1 | 7/16 | 350 | 88.9 | 3 1/2 | 8 |
| 63.5 | 2 1/2 | | 11.1 | 7/16 | 350 | 88.9 | 3 1/2 | 10 |
| 76.2 | 3 | | 11.1 | 7/16 | 350 | 88.9 | 3 1/2 | 12 |
| 101.6 | 4 | | 12.7 | 1/2 | 400 | 88.9 | 3 1/2 | 18 |
| 152.4 | 6 | | 14.3 | 9/16 | 400 | 90.5 | 3 9/16 | 28 |
| 203.2 | 8 | | 15.9 | 5/8 | 400 | 90.5 | 3 9/16 | 41 |
| 254.0 | 10 | | 19.1 | 3/4 | 400 | 122.2 | 4 13/16 | 60 |
| 304.8 | 12 | | 20.6 | 13/16 | 400 | 122.2 | 4 13/16 | 80 |
| 355.6 | 14 | | 22.2 | 7/8 | 400 | 122.2 | 4 13/16 | 99 |
| 406.4 | 16 | | 25.4 | 1 | 500 | 122.2 | 4 13/16 | 152 |
| 457.2 | 18 | | 27.0 | 1 1/16 | 500 | 122.2 | 4 13/16 | 176 |
| 508.0 | 20 | | 28.6 | 1 1/8 | 500 | 122.2 | 4 13/16 | 210 |
| 609.6 | 24 | | 31.8 | 1 1/4 | 500 | 125.4 | 4 15/16 | 280 |
| 762.0 | 30 | | 36.5 | 1 7/16 | 500 | 139.7 | 5 1/2 | 402 |
| 914.4 | 36 | | 41.3 | 1 5/8 | 600 | 165.1 | 6 1/2 | 644 |

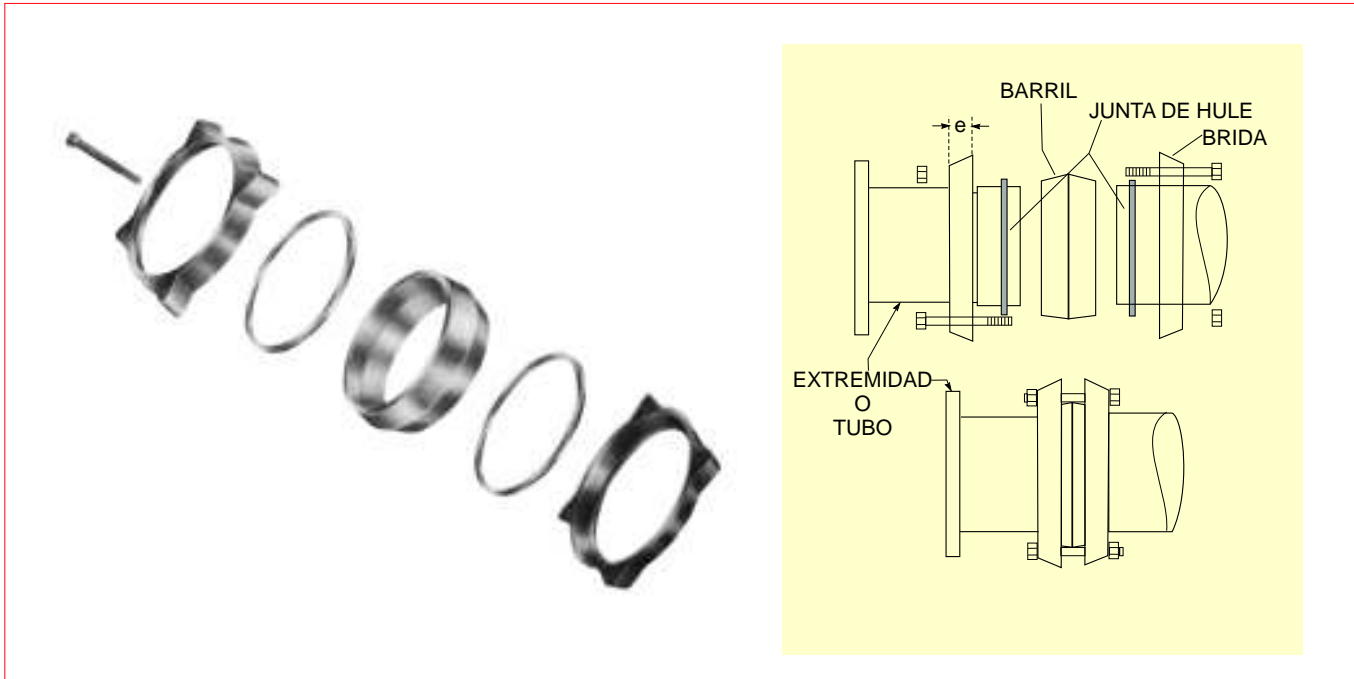
NOTA: Al solicitar las extremidades, denos a conocer marca y clase del tubo o el diámetro exterior del mismo en mm.

NOTA: Extremos bridados según Norma ANSI B 16.1 Pag. #1



CONEXIONES Y VÁLVULAS RUD

JUNTAS GIBAULT



ESPECIFICACIONES SEGUN AWWA C-110

| DIÁMETRO NOMINAL d | ESPESOR MÍNIMO DE LA BRIDA e | DIMENSIÓN DE LOS TORNILLOS | NUMERO DE TORNILLOS | PESO APROX. | Diámetros interiores en que se fabrican las juntas Midiendo en milímetros el diam. interior |
|-----------------------|------------------------------|----------------------------|---------------------|-------------|--|
| plg | plg | plg | Piezas | Kg | SOBRE PEDIDO SE PUEDEN FABRICAR DIÁMETROS ESPECIALES |
| 2 | 1 3/16 | ½ x 4 | 2 | 2.7 | 66, 70, 76 y 80 mm |
| 2 1/2 | 1 1/8 | ½ x 4 ½ | 2 | 3.4 | 85 y 90 mm |
| 3 | 1 9/16 | ½ x 4 ½ | 2 | 4.2 | 95, 100, 105, 110 y 115 mm |
| 4 | 1 9/16 | 5/8 x 5 | 3 | 5.7 | 120, 124, 127, 130 y 135 mm |
| 6 | 1 9/16 | 5/8 x 5 ½ | 3 | 10.5 | 160, 165, 170, 175, 180, 185, 190 y 195 mm |
| 8 | 1 9/16 | 5/8 x 6 | 4 | 15.5 | 205, 225, 230, 235, 240, 245, 255 y 260 mm |
| 10 | 1 13/16 | 5/8 x 6 ½ | 4 | 20.2 | 270, 275, 280, 285, 290, 295, 305, 310, 315, 320 y 325 mm |
| 12 | 1 13/16 | 5/8 x 6 ½ | 4 | 25.0 | 330, 335, 340, 345, 350, 355, 360, 365, 370, 375, 380 y 390 mm |
| 14 | 1 7/8 | 5/8 x 6 ½ | 6 | 47.5 | 395, 405, 410, 415, 420, 430 y 435 mm |
| 16 | 2 | 5/8 x 6 ½ | 6 | 46.0 | 440, 445, 450, 455, 460, 465, 470 y 485 mm |
| 18 | 2 1/8 | 5/8 x 7 | 8 | 62.3 | 490, 495, 505, 510, 515, 520, 525, 530, 535 y 540 mm |
| 20 | 2 3/16 | 5/8 x 7 | 8 | 73.0 | 550, 560, 565, 570, 575, 580, 585, 590, 595, 600, 605, 615, 620, 630 y 635 mm |
| 24 | 2 1/4 | 3/4 x 8 | 12 | 100.0 | 650, 655, 665, 675, 680, 685, 690 y 720 mm |
| 30 | 2 1/2 | 3/4 x 9 ½ | 16 | 173.0 | 805, 810, 825, 840, 850, 860 y 920 mm |
| 36 | 2 7/8 | 3/4 x 11 ½ | 18 | 257.5 | 990, 995, 1000, 1050, 1060, 1085 y 1110 mm |

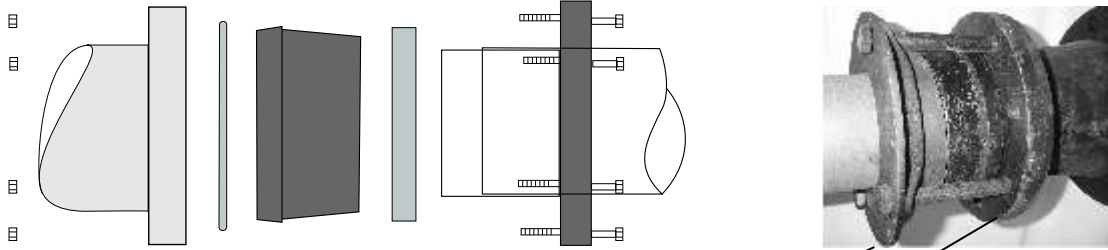
NOTA: La junta se surte completa con empaques y tornillos.

Al solicitar la junta Gibault, denos a conocer la marca y clase de la tubería o el diámetro exterior exacto de la misma.



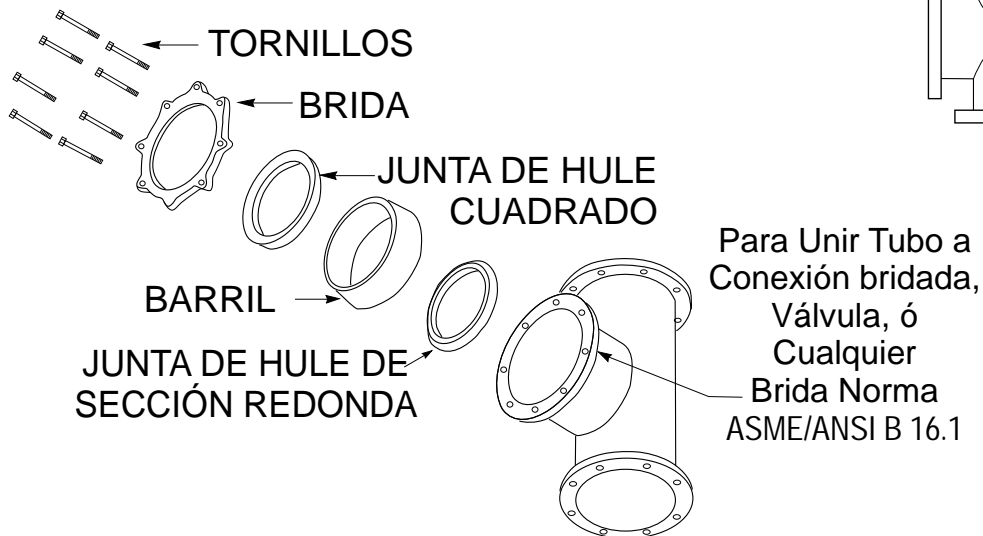
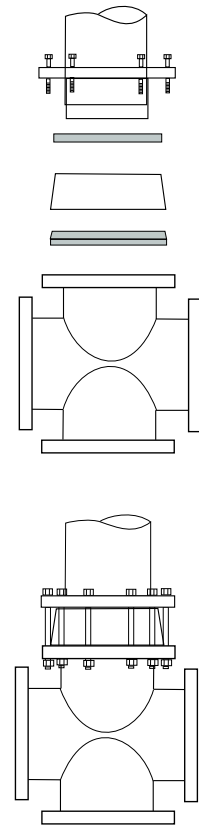
CONEXIONES Y VÁLVULAS RUD

JUNTA "UNIVERSAL" GPB Marca RUD



LAS DIMENSIONES DE LA BRIDA DE LA JUNTAS
COINCIDEN CON LA BRIDA NOMINAL DE LA PIEZA A UNIR

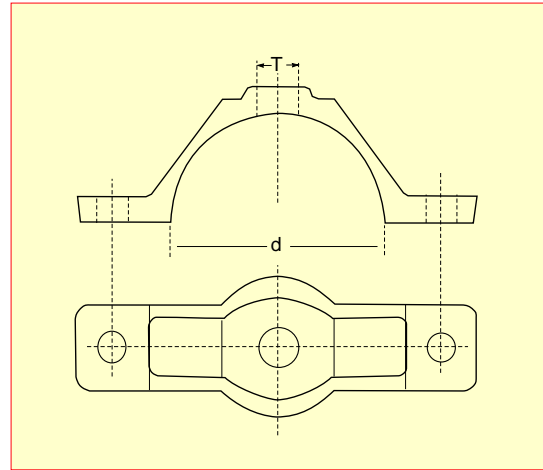
| PESO APROX. EN KG. | DIAMETRO NOMINAL | | DIÁMETRO INTERIOR EN mm SOBRE PEDIDO SE PUEDEN FABRICAR DIÁMETROS ESPECIALES |
|--------------------------|------------------|-------|--|
| | MM. | PLGS. | |
| 3 | 50.8 | 2 | 70, 75 mm |
| 4 | 63.5 | 2 ½ | 70, 80, 90 mm |
| 5 | 76.2 | 3 | 90, 100, 105 mm |
| 6 | 101.6 | 4 | 105, 120, 125, 130 mm |
| 10 | 152.4 | 6 | 165, 175, 185 mm |
| 14 | 203.6 | 8 | 205, 225, 230, 235, 240 mm |
| 22 | 254.0 | 10 | 255, 285, 295 mm |
| 28 | 304.8 | 12 | 305, 320, 335, 345, 350 mm |
| 37 | 355.6 | 14 | 395, 405 mm |
| 47 | 406.4 | 16 | 450, 460 mm |
| 70 | 457.2 | 18 | 485, 505, 515, mm |
| 100 | 508.0 | 20 | 570, 665 mm |
| 125 | 609.6 | 24 | 695 mm |





CONEXIONES Y VÁLVULAS RUD

ABRAZADERAS DE INSERCION

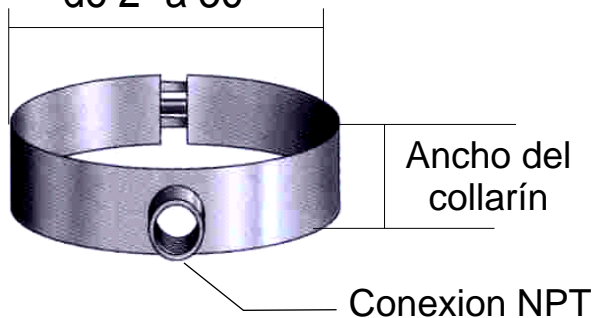


ESPECIFICACIONES

| DIÁMETRO NOMINAL d | | ROSCA NPT DE LA TOMA T | NUMERO TORNILLOS | DIMENSIONES DE LOS TORNILLOS | PESO APROX. |
|-----------------------|-------|---|---------------------|---------------------------------|----------------|
| mm | plg | | Piezas | plg | kg |
| 50.8 | 2 | OPCIONAL ENTRE: 1/2, 3/4 y 1" | 2 | 1/2 x 2 | 1.4 |
| 63.5 | 2 1/2 | | 2 | 1/2 x 2 1/2 | 1.9 |
| 76.2 | 3 | | 2 | 1/2 x 2 1/2 | 2.2 |
| 101.6 | 4 | | 2 | 1/2 x 3 | 2.8 |
| 152.4 | 6 | | 2 | 1/2 x 3 | 4.4 |
| 203.2 | 8 | | 2 | 1/2 x 3 1/2 | 6.0 |
| 254.0 | 10 | | 2 | 1/2 x 3 1/2 | 7.5 |
| 304.8 | 12 | OPCIONAL ENTRE: 1/2, 3/4, 1" 1 1/4" y 1 1/2" | 2 | 1/2 x 4 1/2 | 11.4 |
| 355.6 | 14 | | 2 | SU | 23.0 |
| 406.4 | 16 | | 2 | LONGITUD | 24.0 |
| 457.2 | 18 | | 2 | DEPENDE DE | 27.0 |
| 508.0 | 20 | | 2 | LA | 28.8 |
| 609.6 | 24 | | 2 | TUBERIA | 34.0 |

COLLARÍN (ABRAZADERA) DE ACERO INOXIDABLE

Diametros
de 2" a 36"



Ancho del collarín

- 3" con salida de 1/2" ó 3/4"
- 4" con salida de 1/2" ó 3/4" ó 1"
- 6" con salida de 1/2" ó 3/4" ó 1" ó 2"
- 8" con salida de 1/2" ó 3/4" ó 1" ó 2"



CONEXIONES Y VÁLVULAS RUD

COPE DRESMEX

El Cople DresMex, es fabricado con barril de acero rolado en frio y bridas de hierro, bajo la norma ANSI/AWWA C-219, es recomendable para unir y repara tuberías, tambien donde se requiera tener gran flexibilidad para el tendido de la linea de conducción y puede absorber sin problemas vibraciones o movimientos en dicha linea.

Se puede utilizar en tuberías de Asbesto-Cemento, Polietileno, PVC, Hierro Dúctil y Acero.

Estilo 40 largo



Estilo 38 corto



Estilos Disponibles:

Se fabrican 3 modelos o estilos:

***Estilo 38, *Estilo 40 y *Estilo 162:**

Para formar uniones de Tubo de Asbesto, PVC, Hierro Dúctil y/o Acero.

El cople Estilo 40 posee las mismas características del estilo 38, la diferencia es que al tener un cilindro de 12" de largo permite unir tuberías con una distancia mayor entre ellas.

***Estilo 162:** Cople de transición con barril tipo reducción campana, para unir: Asbesto-PVC, Asbesto-Acero, etc. Será indispensable que se proporcione el diámetro exterior de los tubos a unir.

Características:

Los tornillos y tuercas son de acero grado 5 alta resistencia.

Su instalación es fácil, rápida y segura.

Se puede fabricar en largos y diámetros especiales.

Nos reserva el derecho de cambiar o modificar los diseños asegurando siempre que no se afecte el óptimo desempeño del producto.

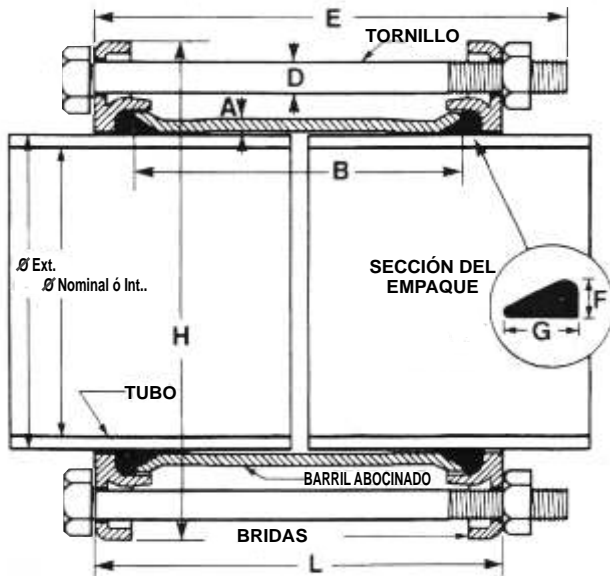


CONEXIONES Y VÁLVULAS RUD

Características:

El Cople DresMex consiste en un anillo cilíndrico central, dos bridas exteriores, dos empaques de SBR o Buna N, tornillos y tuercas. Su sello es hermético en todo el perímetro exterior del tubo, manteniéndolo a pesar de los pequeños movimientos que puedan ocurrir en la tubería, ideal para líneas superficiales.

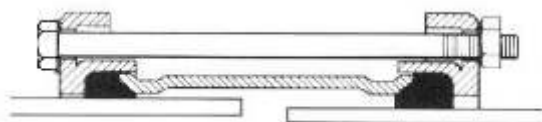
| TUBO Medidas en Pulgadas | | BARRIL | | TORNILLOS | | Seccn. Empaque | | Dimensiones | | Presión | Peso |
|--------------------------|-------------------|---------|-------|-----------|-------------|----------------|--------|-------------|-------|------------|--------|
| Diametro Int. | Diametro Exterior | Espesor | Largo | Cant. | Dimenc. | Espesor | Largo | Generales | | de Trabajo | Aprox. |
| Nominal | | A | B | D | E | F | G | H | L | PSI | Kg |
| 1 | 1.315 | 0.134 | 5 | 2 | 1/2 x 7 | 9/32 | 9/16 | 4 1/16 | 5 7/8 | 1500 | 2 |
| 1 1/4 | 1.660 | 0.140 | 5 | 2 | 1/2 x 7 | 9/32 | 9/16 | 4 7/16 | 5 7/8 | 1500 | 2 |
| 1 1/2 | 1.900 | 0.148 | 5 | 2 | 1/2 x 7 | 11/32 | 5/8 | 4 3/4 | 5 7/8 | 1500 | 2 |
| 2 | 2.375 | 0.154 | 5 | 2 | 5/8 x 8 1/2 | 1/2 | 29/32 | 6 | 6 5/8 | 1500 | 3 |
| 3 | 3.500 | 0.156 | 5 | 4 | 5/8 x 8 1/2 | 1/2 | 29/32 | 7 3/8 | 7 | 1100 | 6 |
| 4 | 4.500 | 0.188 | 5 | 4 | 5/8 x 8 1/2 | 1/2 | 29/32 | 8 3/4 | 7 | 1100 | 8 |
| 5 | 5.563 | 0.250 | 5 | 4 | 5/8 x 8 1/2 | 1/2 | 29/32 | 9 5/8 | 6 3/4 | 1100 | 11 |
| 6 | 6.625 | 0.250 | 5 | 6 | 5/8 x 8 1/2 | 1/2 | 1 | 11 1/4 | 6 7/8 | 1000 | 12 |
| 8 | 8.625 | 0.250 | 5 | 6 | 5/8 x 8 1/2 | 1/2 | 1 1/16 | 13 1/4 | 6 7/8 | 800 | 15 |
| 10 | 10.750 | 0.250 | 5 | 8 | 5/8 x 8 1/2 | 1/2 | 1 1/16 | 14 5/8 | 6 7/8 | 650 | 18 |
| 12 | 12.750 | 0.250 | 5 | 8 | 5/8 x 8 1/4 | 1/2 | 1 1/16 | 16 3/4 | 6 7/8 | 550 | 20 |



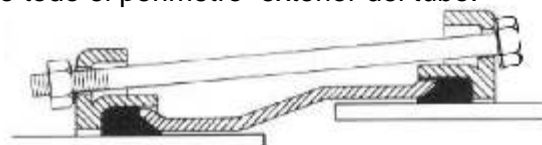
| TUBO Medidas en Pulgadas | | BARRIL | | TORNILLOS | | Dimensiones | | Presión | Peso |
|--------------------------|-------------------|---------|-------|-----------|--------------|-------------|-------|------------|--------|
| Diametro Int. | Diametro Exterior | Espesor | Largo | Cant. | Dimenc. | Generales | | de Trabajo | Aprox. |
| Nominal | | A | B | D | E | H | L | PSI | Kg |
| 14 | 14.000 | 0.250 | 7 | 8 | 5/8 x 10 3/4 | 18 | 9 1/8 | 500 | 27 |
| 16 | 16.000 | 0.250 | 7 | 10 | 5/8 x 10 3/4 | 20 | 9 1/8 | 450 | 32 |
| 18 | 18.000 | 0.250 | 7 | 10 | 5/8 x 10 3/4 | 22 | 9 1/8 | 400 | 34 |
| 20 | 20.000 | 0.250 | 7 | 12 | 5/8 x 10 3/4 | 24 | 9 1/8 | 350 | 39 |
| 24 | 24.000 | 0.250 | 7 | 14 | 5/8 x 10 3/4 | 28 | 9 1/8 | 300 | 48 |
| 30 | 30.000 | 0.250 | 7 | 16 | 5/8 x 10 3/4 | 34 | 9 1/8 | 250 | 55 |
| 36 | 36.000 | 0.375 | 7 | 18 | 5/8 x 10 3/4 | 40 | 9 1/8 | 250 | 82 |
| 42 | 42.000 | 0.500 | 10 | 20 | 5/8 x 15 | 47 | 4 1/4 | 250 | 160 |
| 48 | 48.000 | 0.500 | 10 | 22 | 5/8 x 15 | 53 | 4 1/4 | 250 | 182 |

Características del Estilo 162

El Cople DresMex estilo 162 consiste en un anillo central tipo reducción campana que le permite unir tubos de diferente diametro consta ademas de sus respectiva bridas exteriores, dos empaques de SBR o Buna N, tornillos y tuercas Su sello es hermético todo el perímetro exterior del tubo.



Para unir tuberías de diámetro similares
Se varía el espesor del empaque

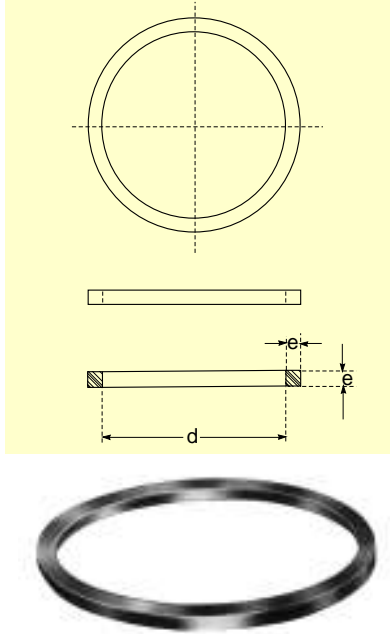


Para unir tuberías de diámetro disímiles
Se realiza con un barril reductor,
semejando a una reducción campana



CONEXIONES Y VÁLVULAS RUD

EMPAQUES PARA JUNTAS GIBAULT

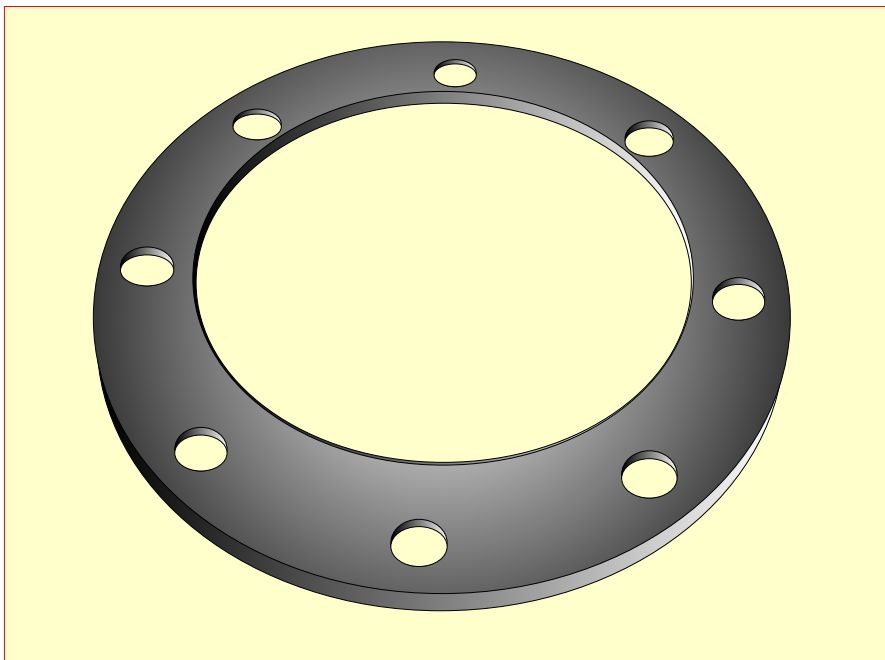


TODOS LOS EMPAQUES ESTÁN FABRICADOS CON 66% HULE NATURAL y SECCIÓN CUADRADA

| DIÁMETRO NOMINAL | | TIPOS DE EMPAQUE | | |
|------------------|-------|------------------|-----------|-----------------|
| | | NORMAL | REFORZADO | SÚPER REFORZADO |
| d | | e | e | e |
| mm | plg | mm | mm | mm |
| 50.8 | 2 | 10.8 | - | - |
| 63.5 | 2 1/2 | 11.6 | 14.2 | - |
| 76.2 | 3 | 12.4 | 14.2 | 15.8 |
| 101.6 | 4 | 13.2 | 15.9 | 17.1 |
| 152.4 | 6 | 13.2 | 15.9 | 19.5 |
| 203.6 | 8 | 13.2 | 17.1 | 20.0 |
| 254.0 | 10 | 13.2 | 17.1 | 20.9 |
| 304.8 | 12 | 14.8 | 17.1 | 23.9 |
| 355.6 | 14 | 15.3 | 19.1 | 23.9 |
| 406.4 | 16 | 17.1 | 19.1 | 23.9 |
| 457.2 | 18 | 17.9 | 19.1 | 26.7 |
| 508.0 | 20 | 17.9 | 19.1 | 26.7 |
| 609.6 | 24 | 17.9 | 22.2 | 27.9 |
| 762.0 | 30 | - | 24.2 | - |
| 914.4 | 36 | - | 24.2 | - |

NOTA: El diámetro real de los empaques es menor que el diámetro nominal.

EMPAQUE DE NEOPRENO PARA BRIDA CARA LLENA



FABRICADAS PARA UNIONES BRIDADAS BAJO NORMA: A.N.S.I. B 16.1 DE 2" A 36"

LAS DIMENSIONES GENERALES DE ESTE EMPAQUE PERMITEN UN SELLADO HERMÉTICO, EN LAS UNIONES BRIDAS

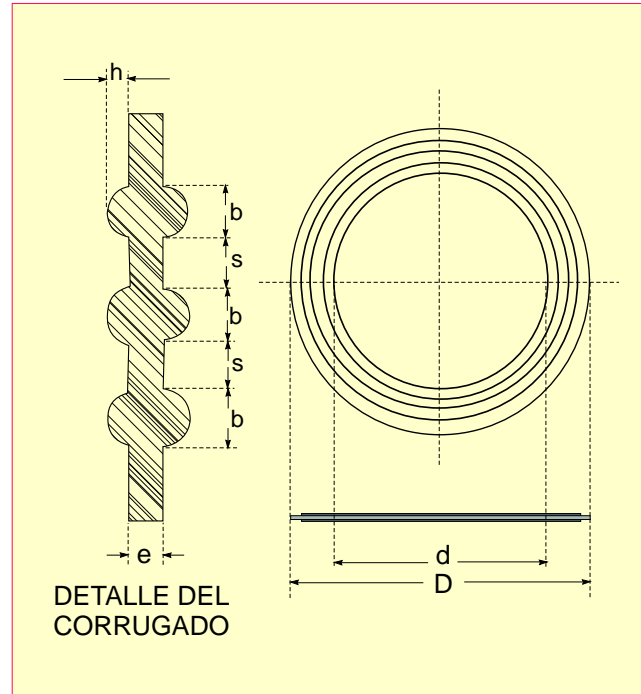
SE FABRICA EN 1/8 " DE ESPESOR Y CON NEOPRENO DE PRIMERA CALIDAD

SOBRE PEDIDO TAMBIEN PODEMOS SURTIRLO CON NEOPRENO ENLONADO



CONEXIONES Y VÁLVULAS RUD

EMPAQUES DE PLOMO



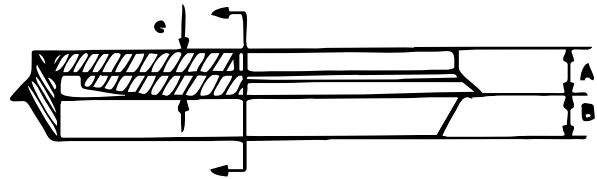
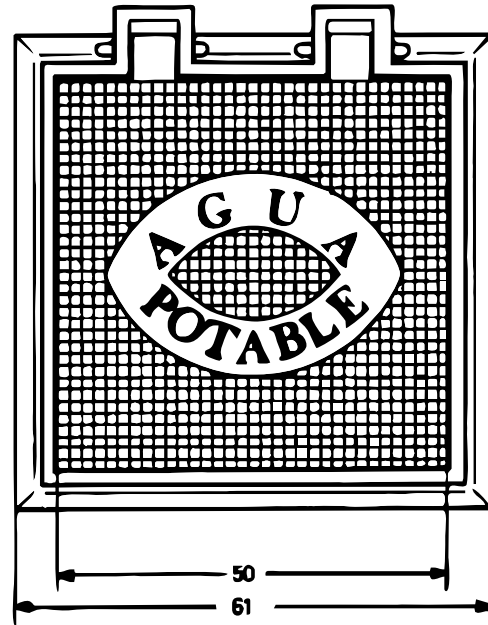
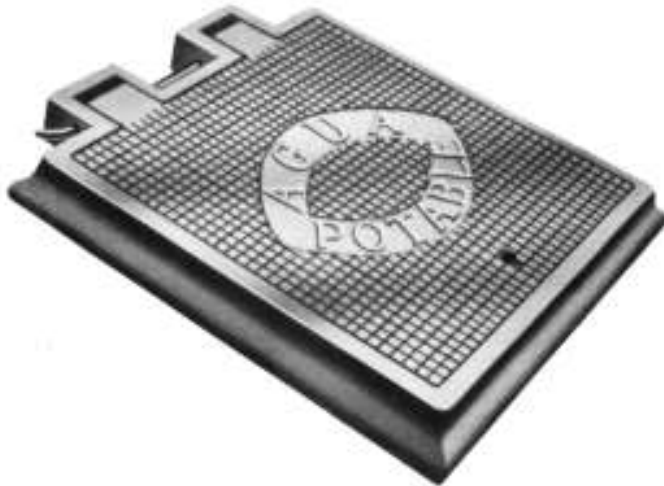
ESPECIFICACIONES

| DIÁMETRO NOMINAL DEL EMPAQUE | | DIÁMETRO INTERIOR | | DIÁMETRO EXTERIOR | | ESPESOR | ANCHO CORRUGADO y ALTURA | SEPARACIÓN CORRUGADO | PESO APROX |
|------------------------------|-------|-------------------|--------|-------------------|--------|---------|--------------------------|----------------------|------------|
| d | | D | | e | | b x h | S | Kg | |
| mm | plg | mm | plg | mm | plg | mm | mm | mm | Kg |
| 50.8 | 2 | 54.0 | 2.1/8 | 104.8 | 4 1/8 | 2 | 1.5 x 0.75 | 9.0 | 0.150 |
| 63.5 | 2 1/2 | 66.7 | 2 5/8 | 123.8 | 4 7/8 | 2 | 1.5 x 0.75 | 10.0 | 0.200 |
| 76.2 | 3 | 79.4 | 3 1/8 | 136.5 | 5 3/8 | 2 | 1.5 x 0.75 | 10.0 | 0.230 |
| 101.6 | 4 | 104.8 | 4 1/8 | 174.6 | 6 7/8 | 2 | 1.5 x 0.75 | 12.0 | 0.360 |
| 152.4 | 6 | 155.6 | 6 1/8 | 222.3 | 8 3/4 | 2 | 1.5 x 0.75 | 11.0 | 0.480 |
| 203.2 | 8 | 206.4 | 8 1/8 | 279.4 | 11 | 3 | 1.5 x 0.75 | 12.0 | 0.980 |
| 254.0 | 10 | 257.2 | 10 1/8 | 339.7 | 13 3/8 | 3 | 2.0 x 1.00 | 10.0 | 1.380 |
| 304.8 | 12 | 308.0 | 12 1/8 | 409.6 | 16 1/8 | 3 | 2.0 x 1.00 | 12.5 | 2.020 |
| 355.6 | 14 | 358.8 | 14 1/8 | 450.9 | 17 3/4 | 4 | 2.0 x 1.00 | 11.5 | 2.720 |
| 406.4 | 16 | 409.6 | 16 1/8 | 514.4 | 20 1/4 | 4 | 2.0 x 1.00 | 13.0 | 3.520 |
| 457.2 | 18 | 460.4 | 18 1/8 | 549.3 | 21 5/8 | 5 | 2.0 x 1.00 | 11.0 | 4.070 |
| 508.0 | 20 | 511.2 | 20 1/8 | 606.4 | 23 7/8 | 5 | 2.0 x 1.00 | 12.0 | 4.820 |
| 609.6 | 24 | 612.8 | 24 1/8 | 717.6 | 28 1/4 | 5 | 2.5 x 1.25 | 13.0 | 6.410 |
| 762.0 | 30 | 774.7 | 30 1/8 | 882.7 | 34 3/4 | 5 | 2.5 x 1.25 | 14.0 | 8.860 |
| 914.4 | 36 | 917.6 | 36 1/8 | 1047.8 | 41 1/4 | 5 | 2.5 x 1.25 | 16.0 | 11.650 |
| 1066.8 | 42 | 1070.0 | 42 1/8 | 1219.2 | 48 | 5 | 2.5 x 1.25 | 16.0 | 15.400 |
| 1219.2 | 48 | 1222.3 | 48 1/8 | 1403.4 | 55 1/4 | 5 | 2.5 x 1.25 | 16.0 | 21.540 |



CONEXIONES Y VÁLVULAS RUD

MARCOS CON TAPA



ESPECIFICACIONES

| TIPO | A | B | TAPA Espesor | PESO kg |
|-----------|----|----|-----------------|------------|
| Pesado | 70 | 51 | 32 | 130 |
| Mediano | 64 | 22 | 32 | 110 |
| Ligero | 55 | 18 | 28 | 95 |
| Comercial | 46 | 12 | 24 | 75 |

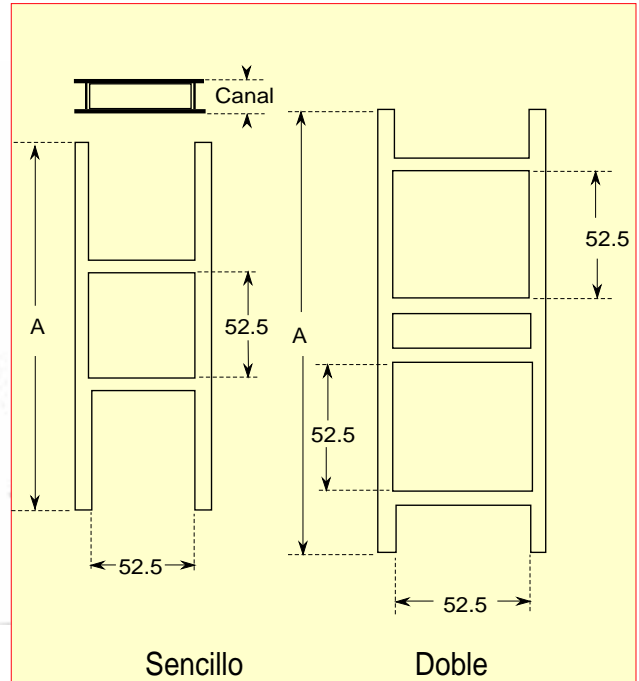
LEYENDAS EN LAS TAPAS; Agua potable, válvula de incendio, pozo de incendio.

NOTA: Las normas de las dependencias OFICIALES y del D.D.F. especifican marco con tapa de 130 kg (pesado).



CONEXIONES Y VÁLVULAS RUD

CONTRAMARCOS



NORMAS DE LAS DEPENDENCIAS OFICIALES

| Sencillo Centrado o Descentrado | | |
|---------------------------------|-----|------|
| CANAL | A | PESO |
| plg | cm | kg |
| 4 | 80 | 23 |
| 4 | 90 | 25 |
| 4 | 105 | 27 |
| 4 | 110 | 28 |
| 4 | 130 | 31 |
| 4 | 140 | 33 |
| 4 | 180 | 40 |
| 4 | 210 | 44 |
| 6 | 140 | 50 |
| 6 | 180 | 62 |
| 6 | 210 | 66 |
| Doble | | |
| CANAL | A | PESO |
| plg | cm | kg |
| 4 | 140 | 42 |
| 4 | 180 | 49 |
| 4 | 210 | 54 |
| 6 | 140 | 62 |
| 6 | 180 | 73 |
| 6 | 210 | 80 |

| DATOS DE CONTRAMARCOS PARA CAJAS DE VÁLVULAS ESPECIFICACIONES OFICIALES | | | | | | | | |
|--|----------------------------|----------------------------|----------------------|-----------------|-----------|--------------|-------------|------|
| CAJA TIPO Nº | DIÁMETRO DE VÁLVULAS | CANTIDAD DE VÁLVULAS | CONTRAMARCOS | | | | | TOT. |
| | | | SENCILLO CENTRADO | DESCENT RADO | DOB LE | CANTI DAD | CANAL DE | |
| | plg | | | | | | plg | kg |
| 1 | 2 y 2 1/2 | 1 | 90 | | | 1 | 4 | 25 |
| 2 | 3 a 6 | 1 | 110 | | | 1 | 4 | 28 |
| 3 | 8 a 14 | 1 | 140 | | | 1 | 6 | 50 |
| 4 | 18 y 20 | 1 | 180 | | | 1 | 6 | 62 |
| 5 | 2 a 6 | 2 | 110 | | | 2 | 4 | 56 |
| 6 | 6 y 8 | 2 | | | 180 | 1 | 6 | 73 |
| 7 | 10 a 14 | 2 | 180 | | | 2 | 6 | 124 |
| 8 | 14 a 18 | 2 | 180 | | | 2 | 6 | 124 |
| 9 | 2 a 6 | 2 | | 140 | | 2 | 4 | 66 |
| 10 | 6 a 10 | 2 | | 140 | | 2 | 4 | 66 |
| 11 | 10 a 14 | 2 | | 180 | | 2 | 6 | 124 |
| 12 | 2 a 6 | 3 | 180 | | 180 | 2 | 4 | 89 |
| 13 | 8 a 18 | 3 | | 180 | | 3 | 6 | 186 |

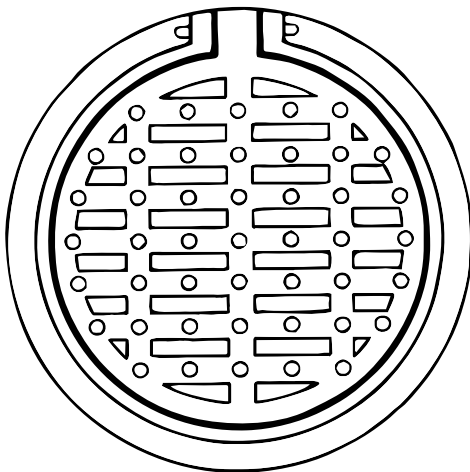


CONEXIONES Y VÁLVULAS RUD

BROCALES PARA POZO DE VISITA

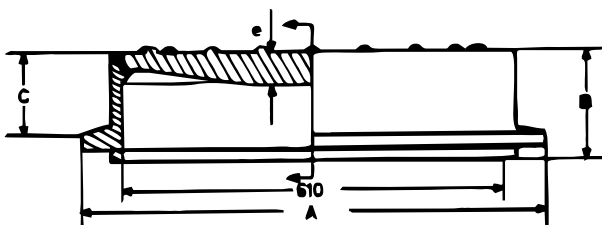


ESPECIFICACIONES



| | A | B | C | e Tapa | Peso kg |
|--------------------|-----|-----|-----|-----------|------------|
| Pesado Tipo D.D.F* | 765 | 170 | 120 | 65 | 160 |
| Pesado ** | 730 | 145 | 100 | 52 | 130 |
| Mediano | 725 | 135 | 105 | 52 | 110 |
| Ligero | 725 | 135 | 105 | 47 | 90 |
| Pesado ciego DDF * | 765 | 170 | 120 | 65 | 165 |
| Pesado ciego ** | 730 | 145 | 100 | 52 | 135 |
| Mediano ciego ** | 725 | 135 | 105 | 52 | 115 |
| Ligero ciego | 725 | 135 | 105 | 47 | 95 |

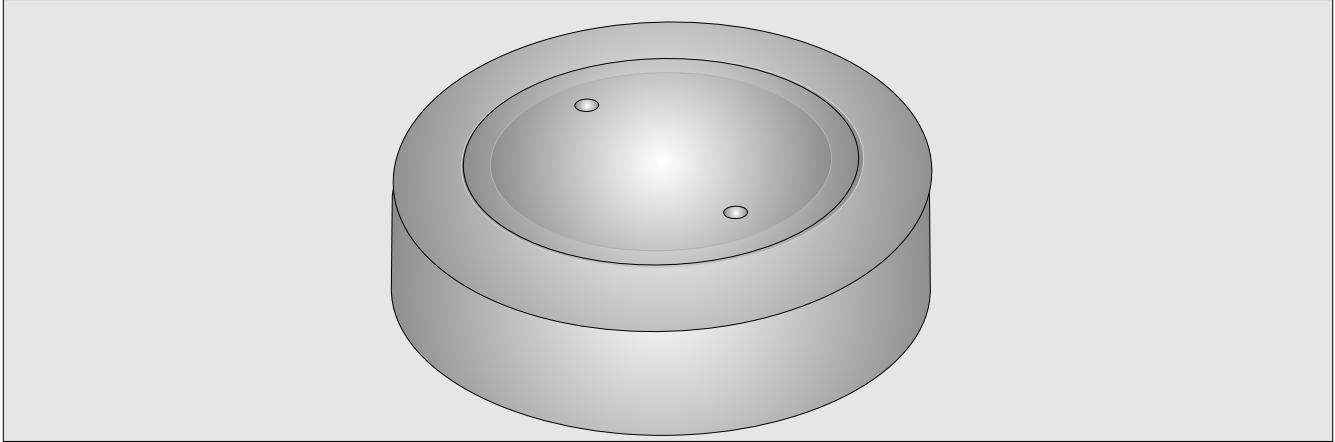
NOTA Cotas en milímetros .
 *Según especificaciones del D.D.F.
 **Según especificaciones OFICIALES.



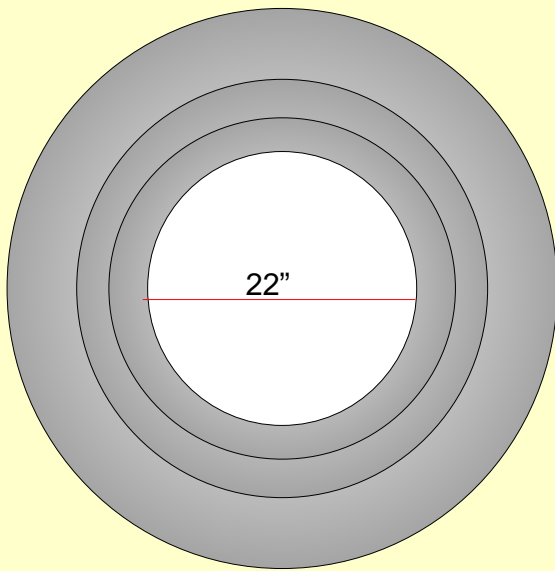


CONEXIONES Y VÁLVULAS RUD

BROCAL DE CONCRETO ARMADO



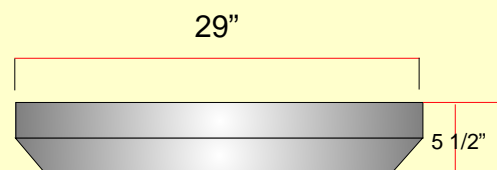
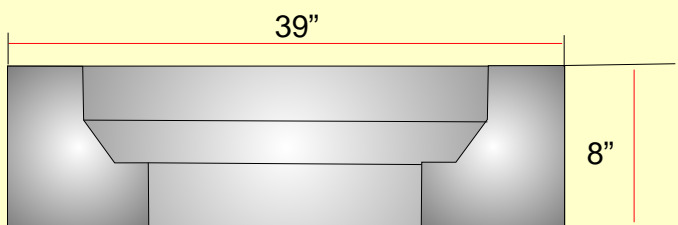
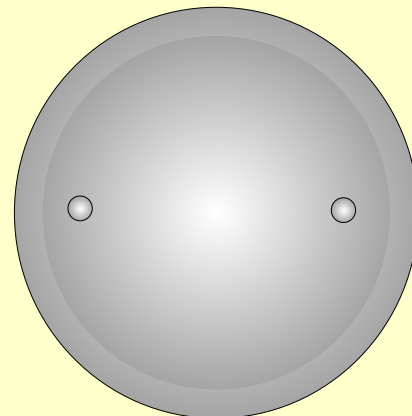
ESPECIFICACIONES



ARO 150 KG.

PESO TOTAL DE ARO
Y TAPA 300 KG.

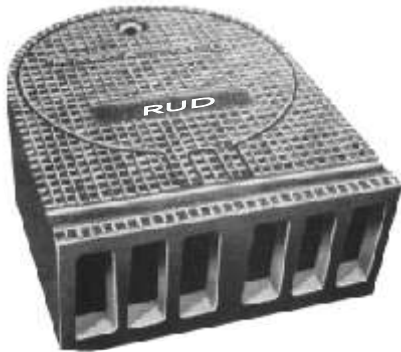
TAPA 150 KG.



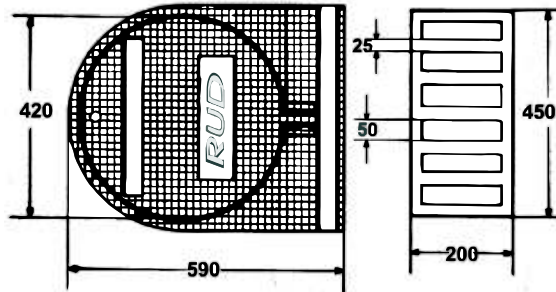


CONEXIONES Y VÁLVULAS RUD

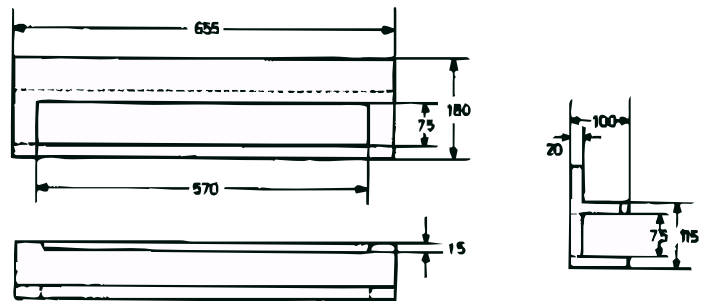
COLADERA PLUVIAL



COLADERA PLUVIAL PESO 75 Kg,

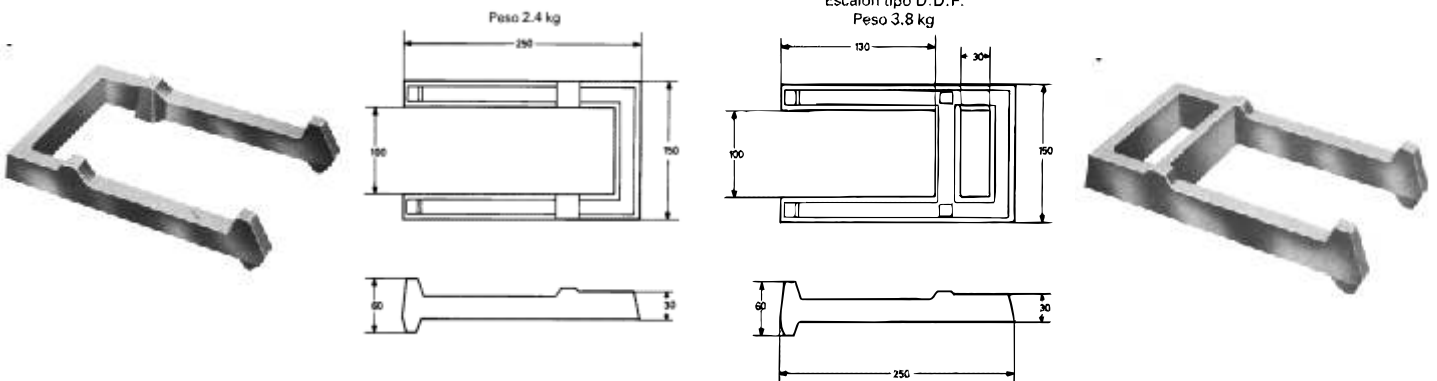


BOCA DE TORMENTA



BOCA DE TORMENTA PARA CUNETETA
PESO 25 Kg.

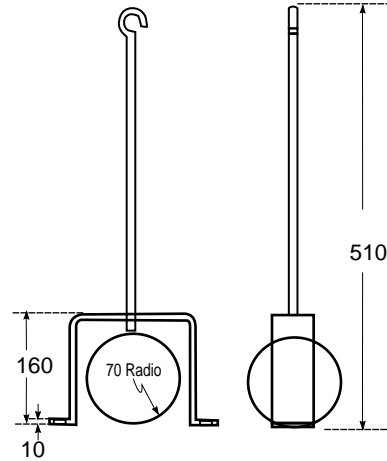
ESCALONES PARA POZO DE VISITA



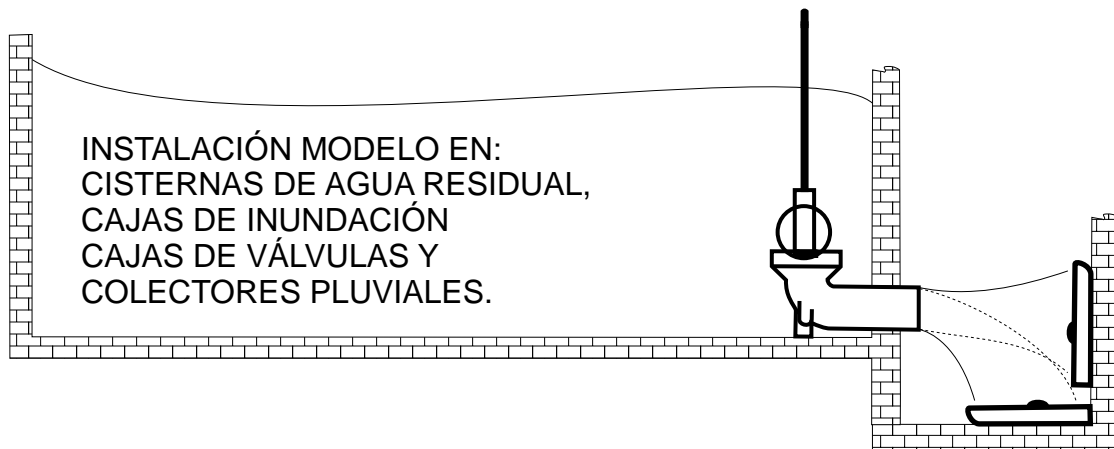
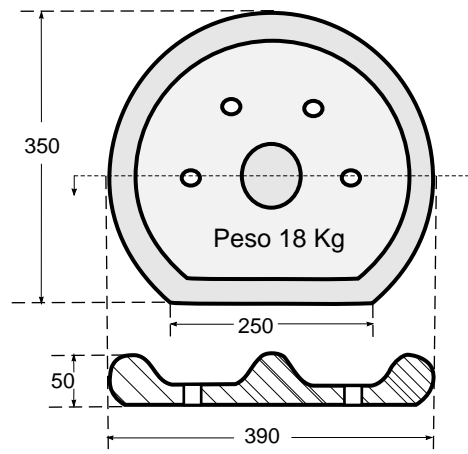
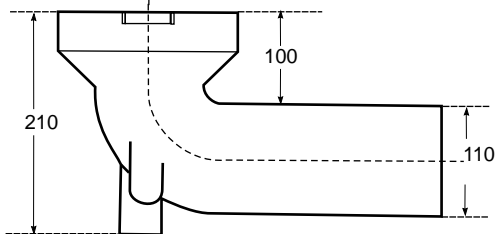
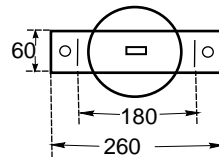
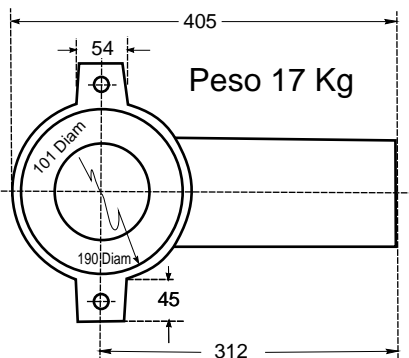


CONEXIONES Y VÁLVULAS RUD

CODO CESPOL, BOLA CONTRAPESO y PLATO QUIEBRA CHORROS



Peso 11 Kg

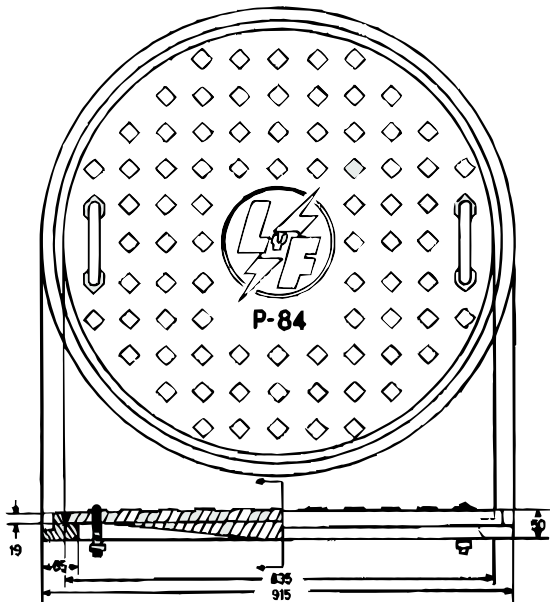
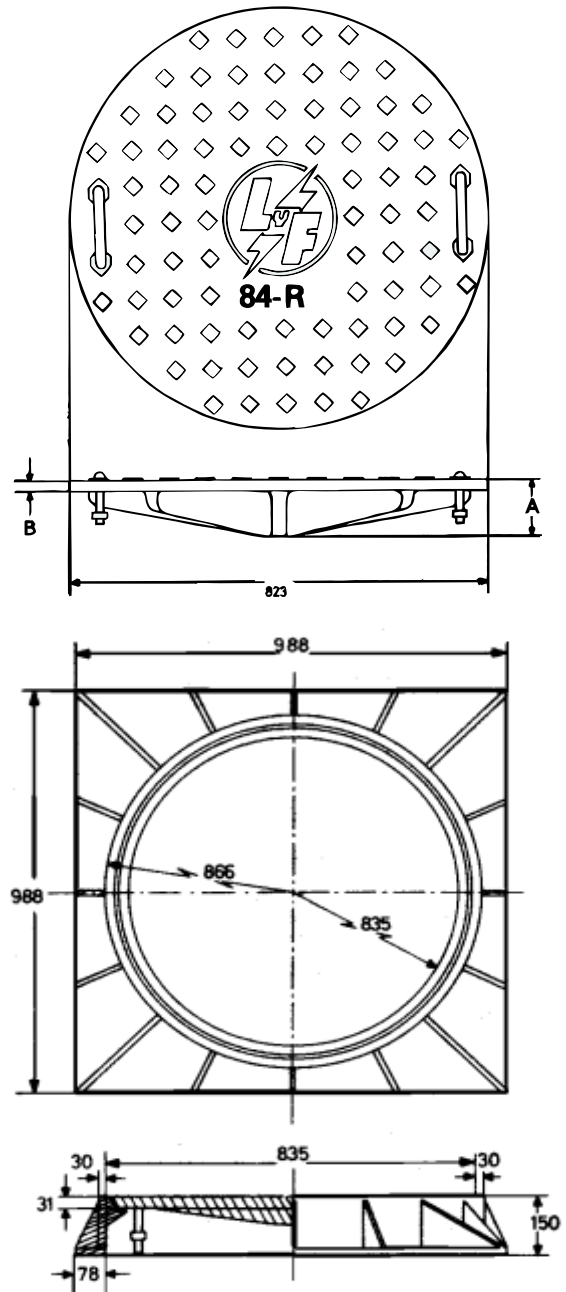




CONEXIONES Y VÁLVULAS RUD

ARO Y MARCO CON TAPA P-84

TAPAS P-84 Y 84-R



PARA USO EN BANQUETAS, ÁREAS PEATONALES O DONDE NO SE TENGA TRAFICO DE VEHÍCULOS PESADOS

| DIMENSIONES EN mm PESO EN Kg | A | B | PESO |
|------------------------------|-----|----|------|
| TAPA P-84 SOLA | 56 | 19 | 75 |
| TAPA P-84-R SOLA | 150 | 30 | 150 |
| ARO P-84 SOLO | | | 50 |
| MARCO P-84 SOLO* | | | 110 |

*PARA USO EN LUGARES CON TRAFICO DE VEHÍCULOS PESADOS EN COMBINACIÓN CON TAPA P-80-R



CONEXIONES Y VÁLVULAS RUD

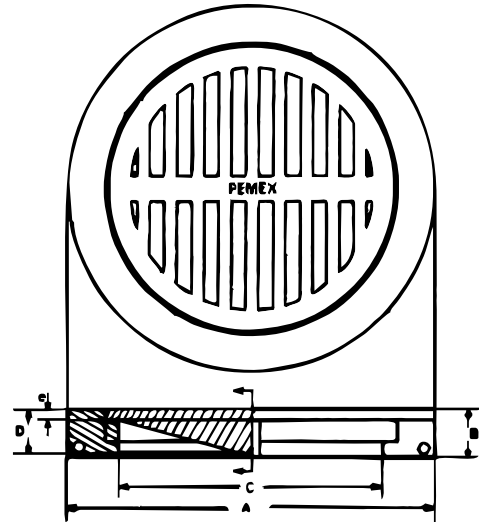
BROCALES PEMEX



T-1 M-1
T-2 M-2



T-4 M-4
T-5 M-5



| TAPA | MARCO | A | B | C | D | e | TIPO DE TAPA | PESO TOT. |
|------|-------|-----|-----|-----|-----|----|--------------|-----------|
| T1 | M1 | 850 | 100 | 610 | 40 | 20 | CIEGA | 136 |
| T2 | M2 | 850 | 125 | 610 | 70 | 25 | CIEGA | 188 |
| T4 | M4 | 750 | 100 | 510 | 100 | 30 | CON REJILLA | 122 |
| T5 | M5 | 850 | 100 | 610 | 100 | 30 | CON REJILLA | 145 |

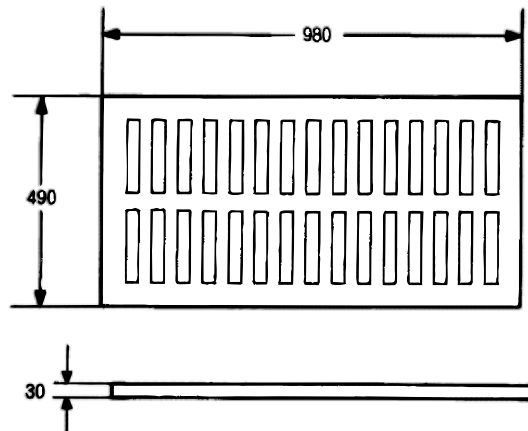
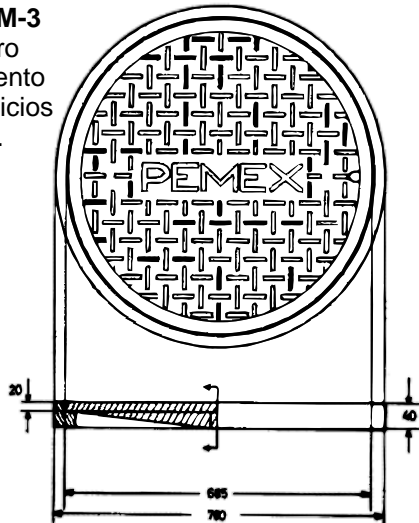
NOTA: Para uso en áreas pavimentadas.

BROCAL PEMEX T-3 M-3

REJILLA 1321-RG PEMEX



BROCAL T-3 M-3
para uso ligero
fuera de pavimento
o interior de edificios
Peso 83 Kg.

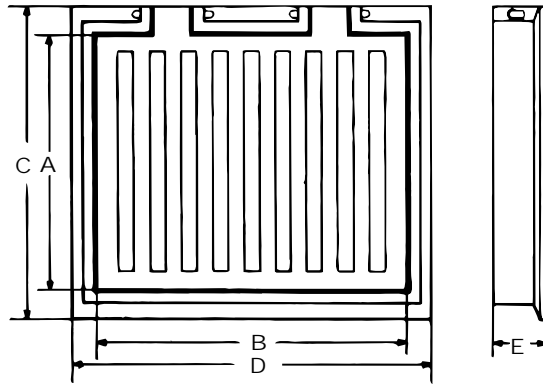


REJILLA 1321-RG
para coladera
Peso 70 Kg.



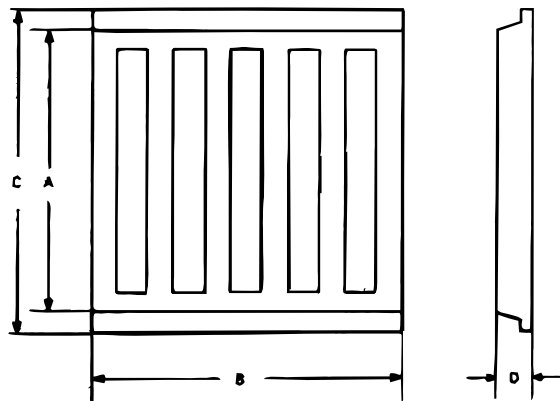
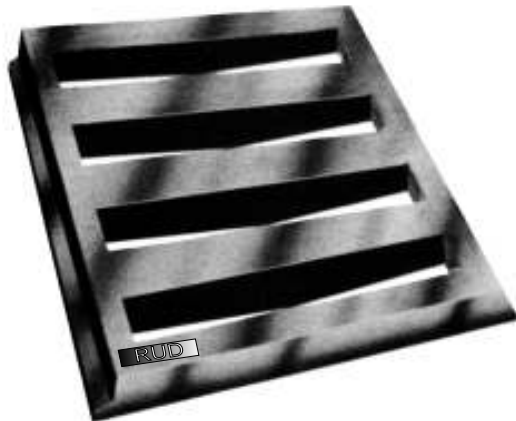
CONEXIONES Y VÁLVULAS RUD

REJILLA CON BISAGRAS Y REJILLAS FIJAS



| DENOMINACIÓN | A | B | C | D | E | No. DE BISAGRAS | PESO kg |
|-------------------|-----|-----|-----|-----|-----|-----------------|---------|
| 45 x 45 | 450 | 450 | 560 | 520 | 70 | 1 | 80 |
| 50 x 50 | 500 | 500 | 660 | 610 | 75 | 1 | 105 |
| 40 x 60 | 380 | 570 | 555 | 675 | 85 | 2 | 105 |
| 40 x 60 COMERCIAL | 380 | 570 | 555 | 675 | 85 | 2 | 70 |
| 60 x 70 | 550 | 700 | 700 | 800 | 100 | 2 | 168 |
| 60 x 70 COMERCIAL | 550 | 700 | 700 | 800 | 85 | 2 | 110 |

Dimensiones en mm



| | A | B | C | E | PESO kg |
|---------|-----|-----|-----|----|---------|
| 45 x 45 | 450 | 450 | 520 | 60 | 47 |
| 50 x 50 | 500 | 500 | 560 | 63 | 68 |
| 40 x 60 | 400 | 595 | 450 | 60 | 50 |
| 60 x 70 | 570 | 710 | 660 | 90 | 134 |

Dimensiones en mm

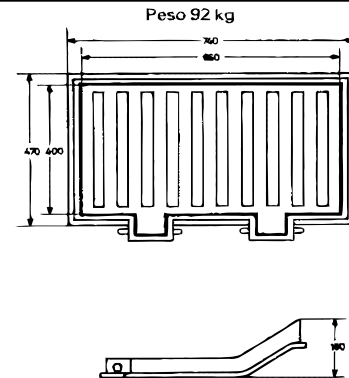


CONEXIONES Y VÁLVULAS RUD

REJILLA CURVA



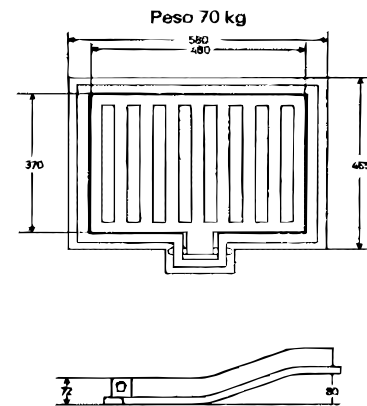
ESPECIFICACIONES



REJILLA PECHO DE PALOMA



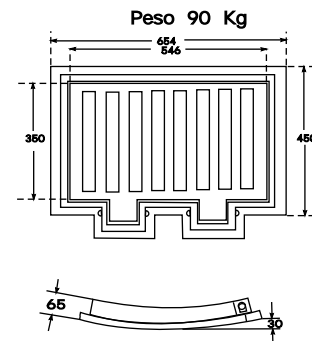
ESPECIFICACIONES



REJ. ESTACIONAMIENTO.



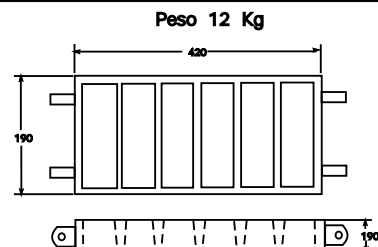
ESPECIFICACIONES



REJ. COLADERA CONCRETO



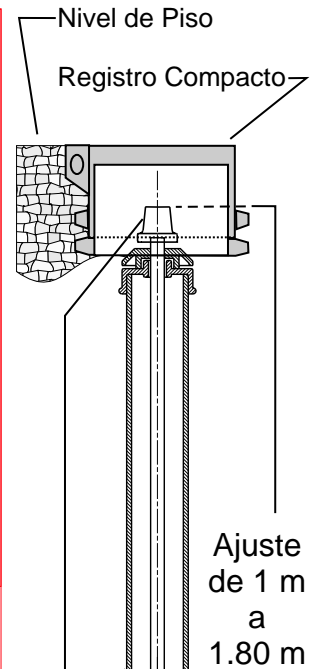
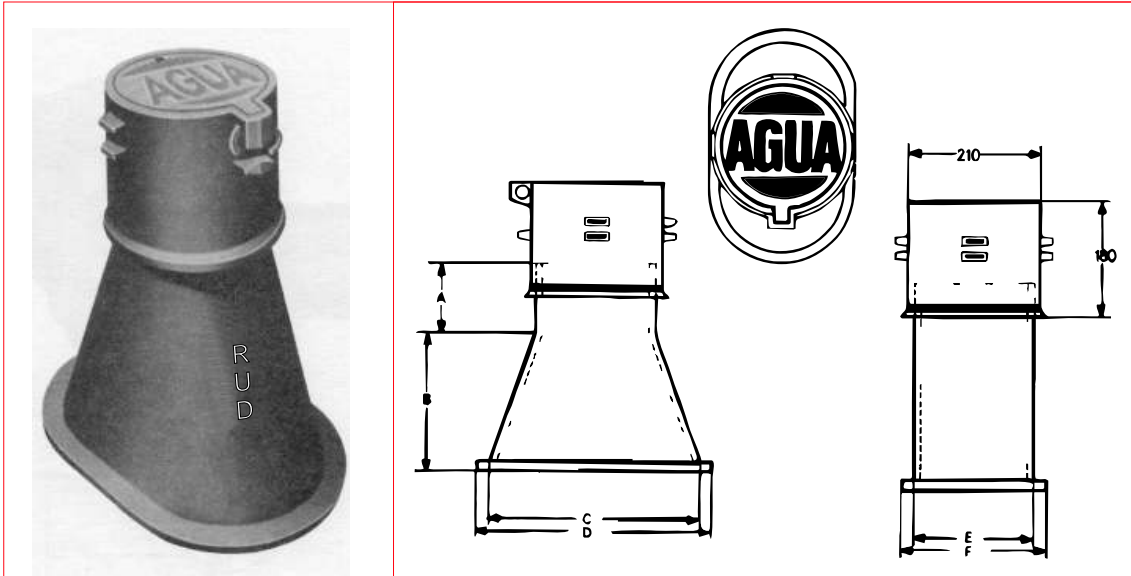
ESPECIFICACIONES





CONEXIONES Y VÁLVULAS RUD

CAMPANAS PARA OPERACIÓN DE VÁLVULAS y EJE TELESCÓPICO



ESPECIFICACIONES

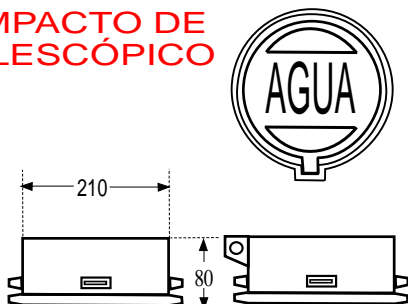
| CAMPANA | | A | B | C | D | E | F | PESO |
|-----------|--------|-----|-----|-----|-----|-----|-----|------|
| mm | plg | | | | | | | kg |
| 76 a 152 | 3 a 6 | 110 | 220 | 330 | 390 | 152 | 230 | 33 |
| 203 a 250 | 8 a 10 | 130 | 345 | 400 | 490 | 254 | 340 | 43 |

NOTA: Cotas en milímetros

EJE TELESCÓPICO UNIVERSAL PARA VÁLVULAS CON DADO OPERADOR TIPO AWWA de 2" x 2" x 2"

El eje de extensión telescópico permite un ajuste progresivo, de 1 metros por encima del dado operador, a un máximo de 2 metros, a nivel de suelo, quedando el dado superior dentro de el registro compacto de 6"

REGISTRO COMPACTO DE 6" PARA EJE TELESCÓPICO



Dado superior de hierro gris

Tubos protectores de PVC

Ejes de PTR Galvanizado

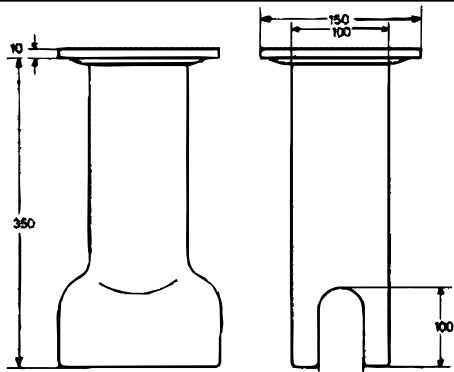
Conector inferior de hierro Dúctil

Válvula compuerta

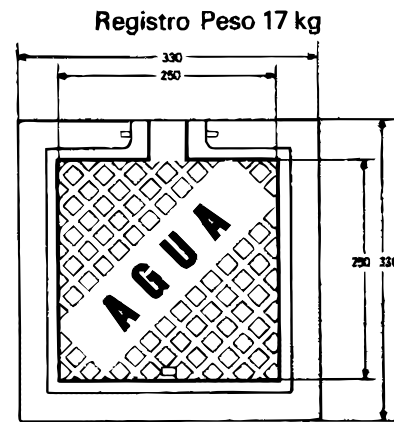
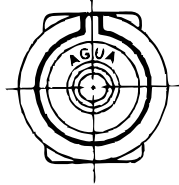


CONEXIONES Y VÁLVULAS RUD

CAJA Y REGISTRO PARA LLAVE DE BANQUETA

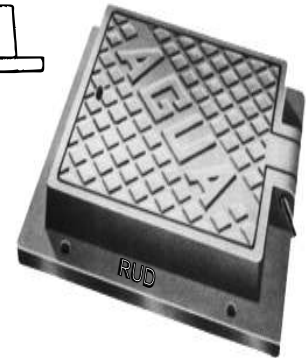
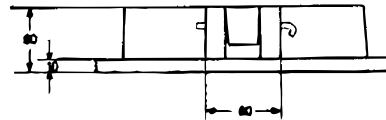


Caja
Peso 5.2 kg

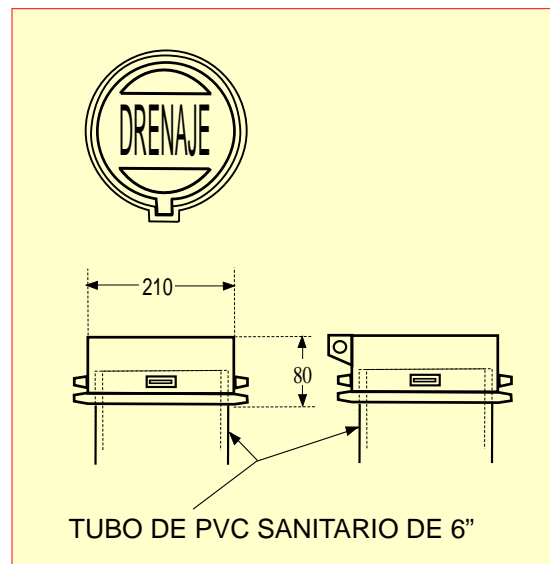
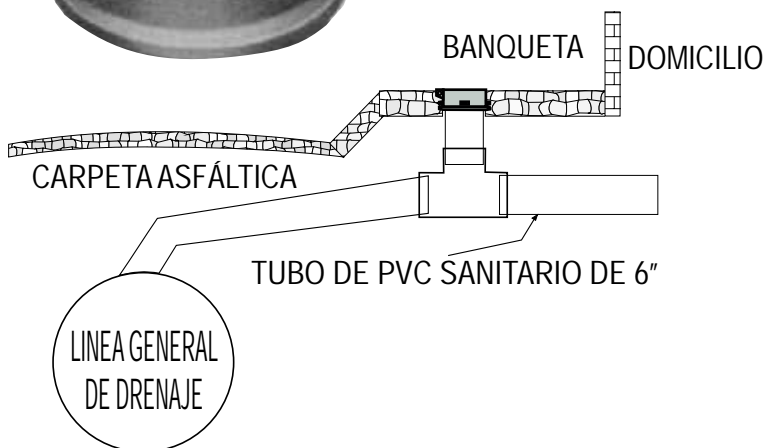


Registro Peso 17 kg

Para tomas de
50.8 mm 2 plg en adelante



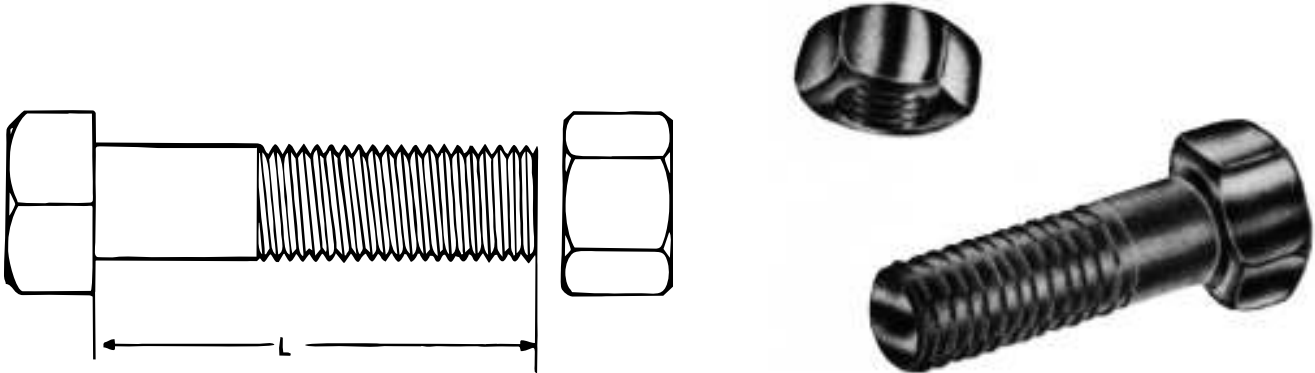
REGISTRO PARA DESCARGA DE DRENAJE





CONEXIONES Y VÁLVULAS RUD

TORNILLOS



ESPECIFICACIONES

| TORNILLOS CON CABEZA y TUERCA HEXAGONAL | | | | | | | | |
|---|-------|---------|---------------|--------|---------|---------------|--------|---------|
| DIÁM. NOMINAL | L | PESO kg | DIÁM. NOMINAL | L | PESO kg | DIÁM. NOMINAL | L | PESO kg |
| 1/2 | 2 | 0.100 | 3/4 | 3 | 0.300 | 7/8 | 11 1/2 | 1.100 |
| 1/2 | 2 1/2 | 0.100 | 3/4 | 3 1/2 | 0.340 | 1 | 4 | 0.700 |
| 1/2 | 3 | 0.110 | 3/4 | 4 | 0.370 | 1 | 4 1/2 | 0.740 |
| 1/2 | 3 1/2 | 0.120 | 3/4 | 4 1/2 | 0.400 | 1 | 7 1/2 | 0.750 |
| 1/2 | 4 | 0.130 | 3/4 | 5 | 0.430 | 1 | 8 | 1.000 |
| 1/2 | 4 1/2 | 0.140 | 3/4 | 5 1/2 | 0.460 | 1 1/8 | 4 1/2 | 1.140 |
| 1/2 | 5 | 0.150 | 3/4 | 6 | 0.490 | 1 1/8 | 5 | 1.190 |
| 1/2 | 5 1/2 | 0.170 | 3/4 | 6 1/2 | 0.520 | 1 1/8 | 5 1/2 | 1.240 |
| 5/8 | 2 1/2 | 0.170 | 3/4 | 7 1/2 | 0.550 | 1 1/4 | 4 1/2 | 1.474 |
| 5/8 | 3 | 0.200 | 3/4 | 11 1/2 | 0.580 | 1 1/4 | 5 | 1.550 |
| 5/8 | 3 1/2 | 0.210 | 7/8 | 3 1/2 | 0.490 | 1 1/4 | 5 1/2 | 1.630 |
| 5/8 | 4 | 0.230 | 7/8 | 4 | 0.570 | 1 1/4 | 6 | 1.700 |
| 5/8 | 4 1/2 | 0.250 | 7/8 | 4 1/2 | 0.570 | 1 1/4 | 6 1/2 | 1.780 |
| 5/8 | 5 | 0.280 | 7/8 | 8 | 0.400 | 1 1/4 | 7 | 1.860 |
| 5/8 | 5 1/2 | 0.300 | 7/8 | 9 | 0.500 | 1 1/2 | 5 | 2.320 |
| 5/8 | 6 | 0.320 | 7/8 | 9 1/2 | 0.600 | 1 1/2 | 5 1/2 | 2.430 |
| 5/8 | 6 1/2 | 0.340 | 7/8 | 10 | 0.700 | 1 1/2 | 6 | 2.255 |
| 5/8 | 7 | 0.350 | 7/8 | 10 1/2 | 0.800 | 1 1/2 | 6 1/2 | 2.655 |
| 5/8 | 7 1/2 | 0.400 | 7/8 | 11 | 0.900 | 1 1/2 | 7 | 2.785 |



VALVULAS

RUD



VÁLVULAS
BELG
PARA TRABAJO PESADO



**PARA VÁLVULAS SOLICITE NUESTROS
CATÁLOGOS CORRESPONDIENTES A :**

INDUSTRIAS BELG-W, S.A. DE C.V.

Bld. Isidro López Zertuche #4000

Apdo. Postal # 449 C.P. 25240

Saltillo, Coahuila, México

Tels. (01-844) 415-6362, 415-6302,

Fax. 415-2889

Visitenos en:

www.belg-w.com.mx

www.belg-w.com